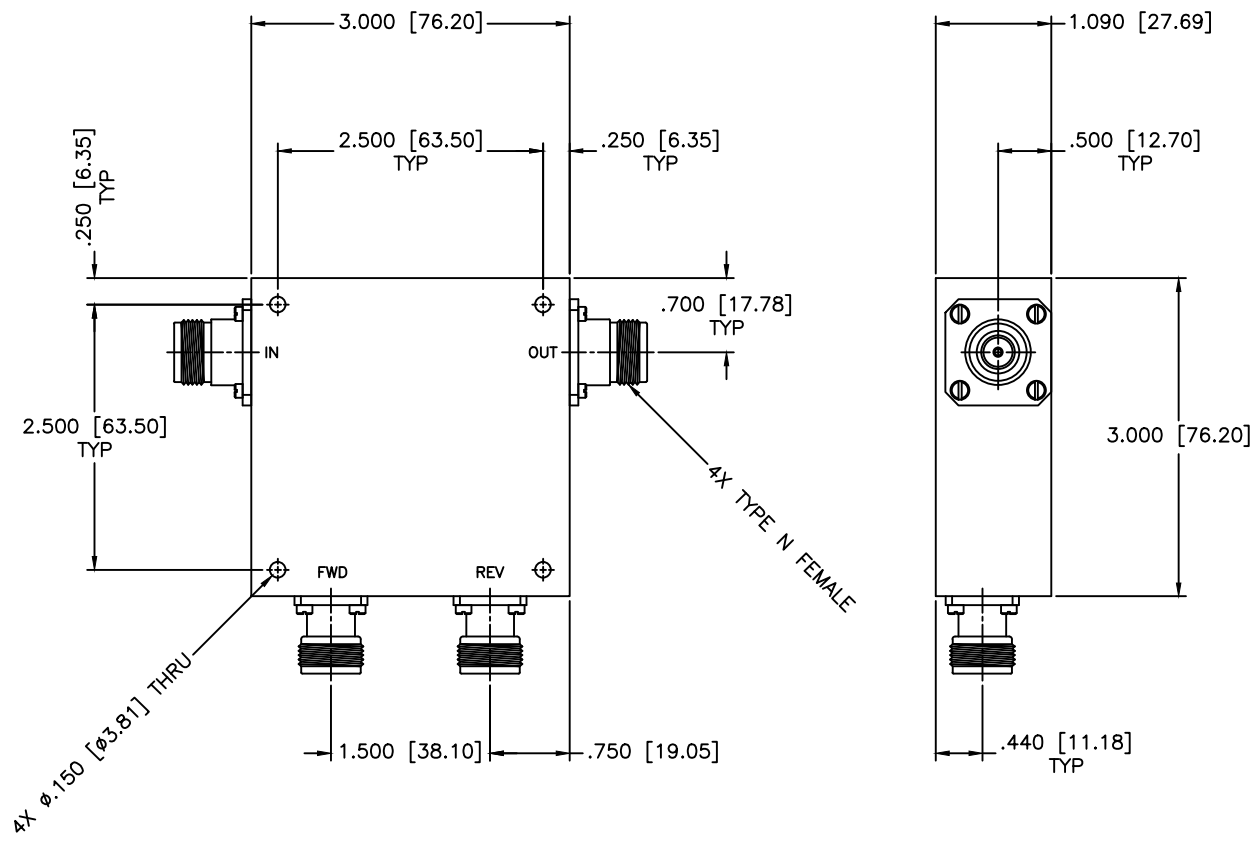


| REVISIONS |     |             |      |          |
|-----------|-----|-------------|------|----------|
| ZONE      | REV | DESCRIPTION | DATE | APPROVED |
|           |     |             |      |          |



**SPECIFICATIONS**

- FREQUENCY RANGE: 800–2800 MHz
- COUPLING: 30dB
- FLATNESS:  $\pm 0.5$ dB
- INSERTION LOSS: 0.30dB Max.
- DIRECTIVITY: 20dB Min.
- VSWR PRIME LINE: 1.30:1 Max.
- POWER: 100W CW

|  |  |                     |  |                        |                          |
|--|--|---------------------|--|------------------------|--------------------------|
| MATERIAL:  |  |                     | MICROWAVE COMMUNICATIONS LABORATORIES INC.<br>7255 30TH AVE. N. SAINT PETERSBURG, FL 33710<br>TEL: (727) 344-6254 FAX: (727) 381-6116<br>http://WWW.MCLI.COM |                        | SCALE: N/A               |
| UNLESS OTHERWISE SPECIFIED:<br>TOLERANCES<br>IN (INCHES) OR [mm] (MILLIMETERS)<br>FRACTIONS: $\pm 1/64$<br>DECIMALS: $\pm 0.02 \pm 0.08$<br>ANGLE: $\pm 1/2^\circ$ |  |                     | DRAWING TITLE:<br><b>HIGH POWER DUAL DIRECTIONAL COUPLER</b>   |                        | SHEET: N/A               |
| DRAWN:<br>Paiboon Luekhamhan   |  | DATE:<br>12-22-2010 |  | PART NO.:<br>HDL-49-30 |                          |
| APPROVED:<br>T. Nguyen   |  | DATE:<br>12-22-2010 |  | CAGE CODE:<br>OD2L5    | SIZE: N/A                |
| THIRD ANGLE PROJECTION   |  | REV: N/A            |  | DWG NO.:<br>85180      | DO NOT SCALE THE DRAWING |