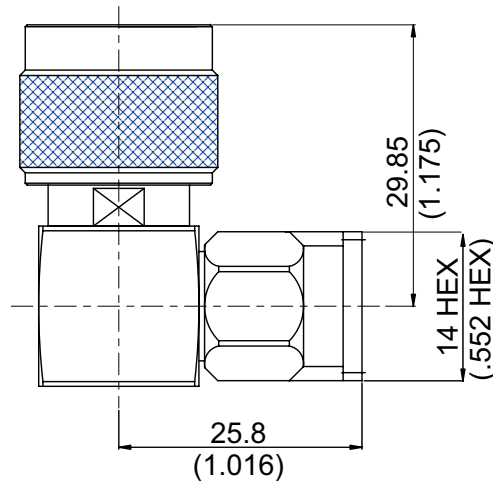


ALS-N3T3

Stainless N Plug To TNC Plug Right Angle 50Ω



Typical VSWR

Part Number	1~3Ghz	4~6Ghz	7Ghz	8~12 Ghz	13~14 Ghz
ALS-N3T3	1.02	1.10	1.16	1.20	1.30

Parts	Material	Plating (Micro-inch)
Cover	Stainless Steel	Passivated
Nut	Brass	Tin-Zinc-Copper-Alloy 100 Over Copper 50
Coupling Nut	Stainless Steel	Passivated
Contact Pin	Beryllium Copper	Gold 20 Over Nickel 50 Over Copper 50
Gasket	Silicon	
Contact Body	Stainless Steel	Passivated
Retainer Ring	Brass	Tin-Zinc-Copper-Alloy 100 Over Copper 50
Insulator	Teflon	
Body	Stainless Steel	Passivated
Retainer Ring	Beryllium Copper	Nickel 291.56 To 492.5 Over Copper 19.7 To39.4

Weight: 77.05 g

This part number complies with RoHS.

Notice: JYBAO reserves the right to make modifications deemed appropriate.