



MHV Female Bulkhead Connector Crimp/ Solder Attachment For RG58

TECHNICAL DATA SHEET

PE44108

MHV Female Bulkhead Connector Crimp/Solder Attachment For RG58

Configuration

Connector	MHV Female
Connector Specification	MIL-STD-348A
Connector Interface Type	RG58
Cable Attachment Method (Shield/Contact)	Crimp/Solder
Body Style	Straight
Mount Method	Bulkhead

Electrical Specifications

Impedance, Ohms	50
Dielectric Withstanding Voltage, Vrms	1,600

Mechanical Specifications

Size

Length, in [mm]	1.575 [40.01]
Width/Dia., in [mm]	0.688 [17.48]
Weight, lbs [g]	0.055 [24.95]

Connector

Type	MHV Female
Contact Material and Plating	Brass, Gold
Contact Plating Specification	30µ in. minimum
Body Material and Plating	Brass, Nickel
Body Plating Specification	100µ in. minimum
Dielectric Type	Teflon

Compliance Certifications (visit www.Pasternack.com for current document)

RoHS Compliant	Yes
----------------	-----

Click the following link (or enter part number in "SEARCH" on website) to obtain additional part information including price, inventory and certifications: [MHV Female Bulkhead Connector Crimp/Solder Attachment For RG58 PE44108](#)

The information contained in this document is accurate to the best of our knowledge and representative of the part described herein. It may be necessary to make modifications to the part and/or the documentation of the part, in order to implement improvements. Pasternack reserves the right to make such changes as required. Unless otherwise stated, all specifications are nominal.



MHV Female Bulkhead Connector Crimp/ Solder Attachment For RG58

TECHNICAL DATA SHEET

PE44108

Plotted and Other Data

Notes:

Values at 25 °C, sea level

MHV Female Bulkhead Connector Crimp/Solder Attachment For RG58 from Pasternack Enterprises has same day shipment for domestic and International orders. Our RF, microwave and fiber optic products maintain a 99% availability and are part of the broadest selection in the industry.

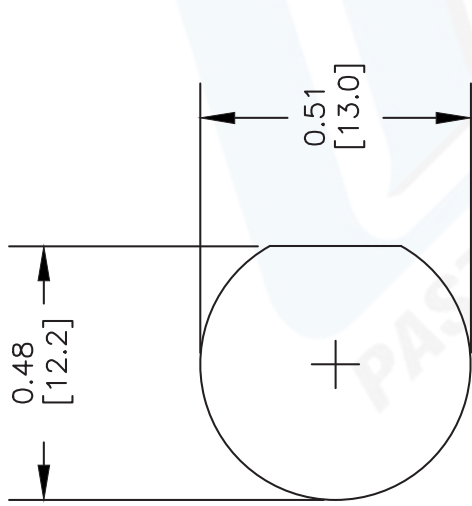
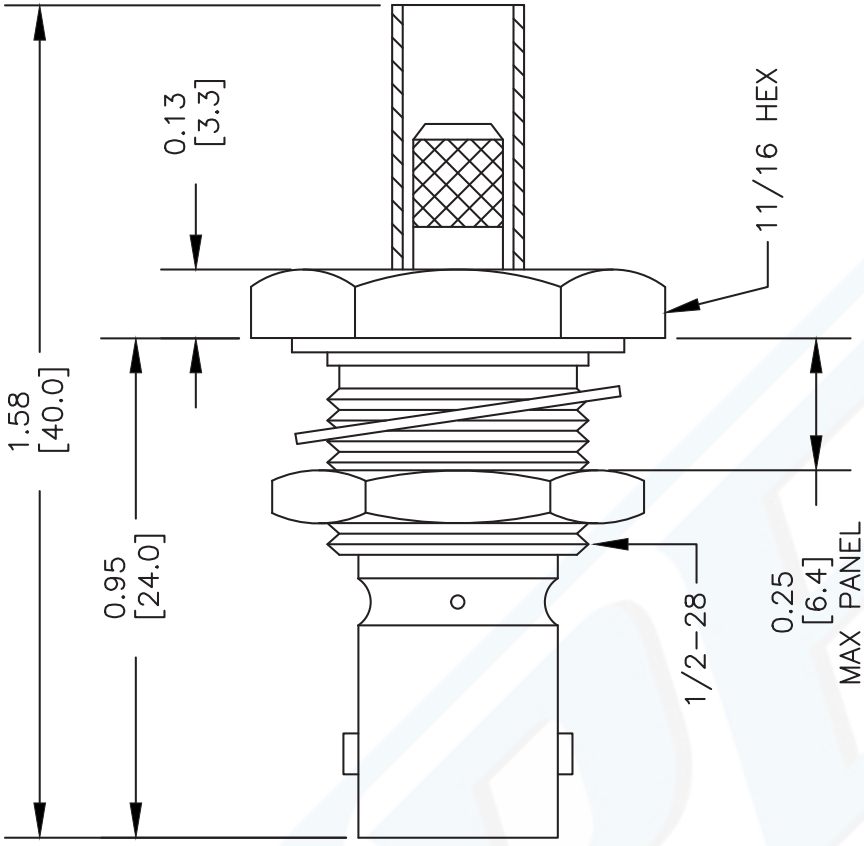
Click the following link (or enter part number in "SEARCH" on website) to obtain additional part information including price, inventory and certifications: [MHV Female Bulkhead Connector Crimp/Solder Attachment For RG58 PE44108](http://www.pasternack.com/mhv-female-standard-rg58-connector-pe44108-p.aspx)

URL: <http://www.pasternack.com/mhv-female-standard-rg58-connector-pe44108-p.aspx>

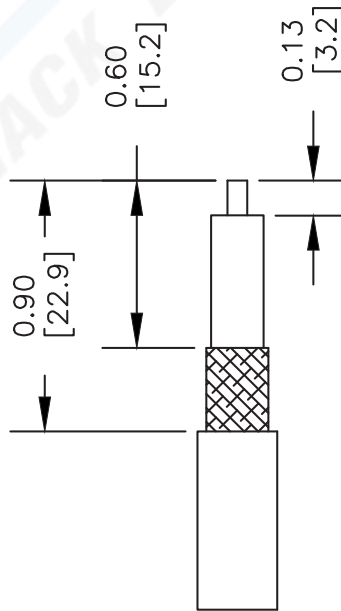
The information contained in this document is accurate to the best of our knowledge and representative of the part described herein. It may be necessary to make modifications to the part and/or the documentation of the part, in order to implement improvements. Pasternack reserves the right to make such changes as required. Unless otherwise stated, all specifications are nominal.

PE44108 CAD Drawing

MHV Female Bulkhead Connector Crimp/Solder Attachment For RG58



MOUNTING HOLE



STRIPPING DIMENSIONS

CRIMP SIZE REQUIRED

CONTACT: SOLDER
 FERRULE: .213" HEX CRIMP TOOL



Pastermack Enterprises, Inc.
 P.O. Box 16759 | Irvine | CA | 92623
 Phone: (949) 261-1920 | Fax: (949) 261-7451
 Website: www.pasternack.com | E-Mail: sales@pasternack.com

DWG TITLE

PE44108

- NOTES:
1. UNLESS OTHERWISE SPECIFIED ALL DIMENSIONS ARE NOMINAL.
 2. ALL SPECIFICATIONS ARE SUBJECT TO CHANGE WITHOUT NOTICE AT ANY TIME.
 3. DIMENSIONS ARE IN INCHES [mm].
 4. FITS MIL-C-17 AND EQUIVALENT CABLES.

REV. A FSCM NO. 53919

CAD FILE 042210

SCALE N/A

SIZE A

147