



7/16 DIN Female Bulkhead Connector Crimp/Solder Attachment For PE-C600, LMR-600, 1.161 inch DD Hole

TECHNICAL DATA SHEET

PE44551

7/16 DIN Female Bulkhead Connector Crimp/Solder Attachment For PE-C600, LMR-600, 1.161 inch DD Hole

Configuration

Connector	7/16 DIN Female
Connector Interface Type	PE-C600, LMR-600
Cable Attachment Method (Shield/Contact)	Crimp/Solder
Body Style	Straight
Mount Method	Bulkhead

Electrical Specifications

Impedance, Ohms	50
-----------------	----

Mechanical Specifications

Size

Length, in [mm]	2.14 [54.36]
Width/Dia., in [mm]	1.54 [39.12]
Weight, lbs [g]	0.11 [49.9]

Connector

Type	7/16 DIN Female
Contact Material and Plating	Brass, Silver
Body Material and Plating	Brass, Tri-Metal
Dielectric Type	Teflon

Compliance Certifications (visit www.Pasternack.com for current document)

RoHS Compliant	Yes
----------------	-----

Plotted and Other Data

Notes:	Values at 25 °C, sea level
--------	----------------------------

7/16 DIN Female Bulkhead Connector Crimp/Solder Attachment For PE-C600, LMR-600, 1.161 inch DD Hole from Pasternack Enterprises has same day shipment for domestic and International orders. Our RF, microwave and fiber optic products maintain a 99% availability and are part of the broadest selection in the industry.

Click the following link (or enter part number in "SEARCH" on website) to obtain additional part information including price, inventory and certifications: [7/16 DIN Female Bulkhead Connector Crimp/Solder Attachment For PE-C600, LMR-600, 1.161 inch DD Hole PE44551](http://www.pasternack.com/7-16-female-standard-pe-c600-0.600-connector-pe44551-p.aspx)

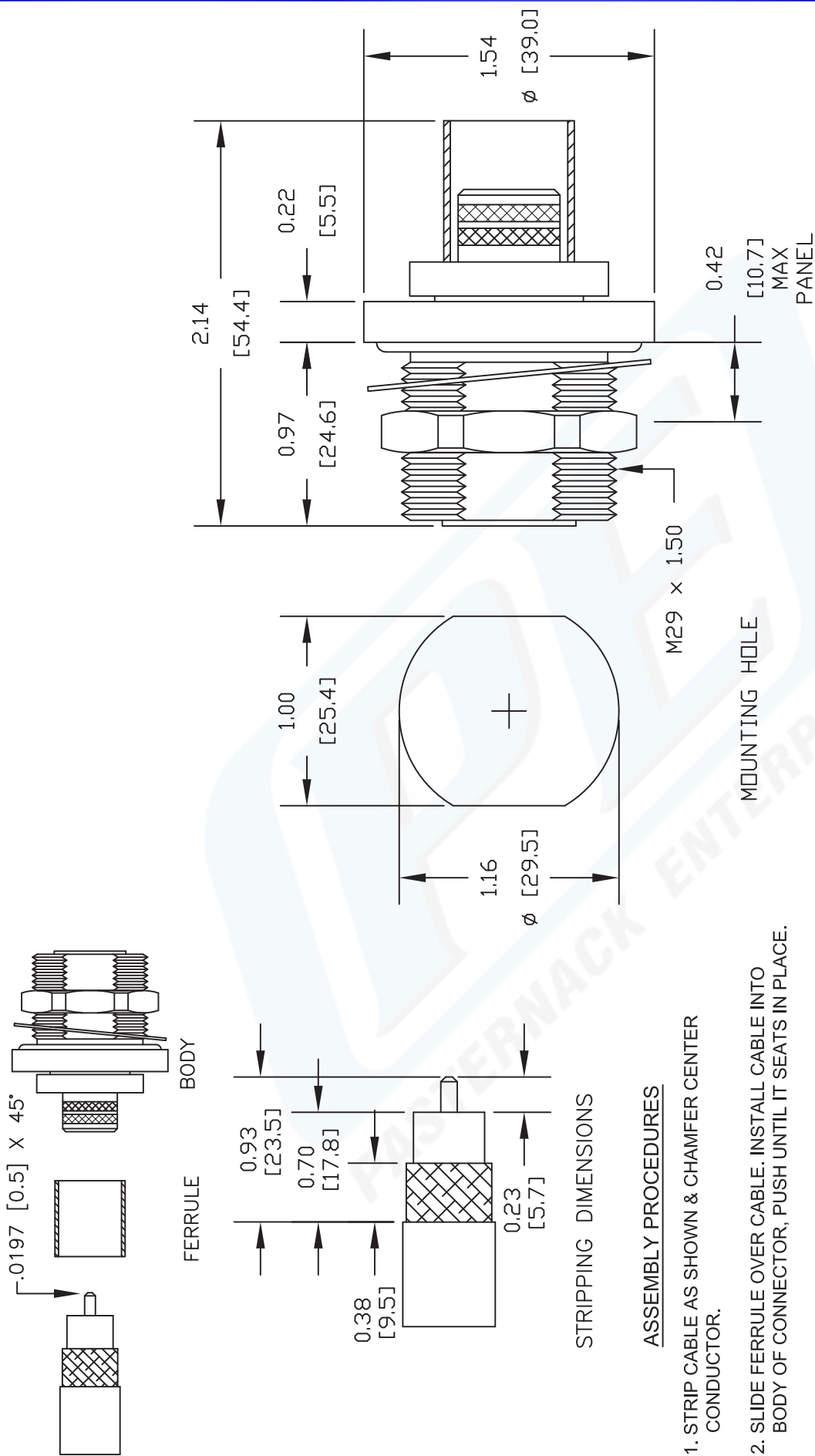
URL: <http://www.pasternack.com/7-16-female-standard-pe-c600-0.600-connector-pe44551-p.aspx>

The information contained in this document is accurate to the best of our knowledge and representative of the part described herein. It may be necessary to make modifications to the part and/or the documentation of the part, in order to implement improvements. Pasternack reserves the right to make such changes as required. Unless otherwise stated, all specifications are nominal.



PE44551 CAD Drawing

7/16 DIN Female Bulkhead Connector Crimp/Solder Attachment
For PE-C600, LMR-600, 1.161 inch DD Hole



DWG TITLE

PE44551

FSCM NO. 53919

CAD FILE 081911

SCALE N/A

SIZE A

2233

PE PASTERNAK®

Pasternack Enterprises, Inc.
P.O. Box 16759 | Irvine | CA | 92623
Phone: (949) 261-1920 | Fax: (949) 261-7451
Website: www.pasternack.com | E-Mail: sales@pasternack.com