

DESCRIPTION:

PMI model number HP2G-1780-CD-SS is a Suspended Highpass filter with SMA female connectors in and out.

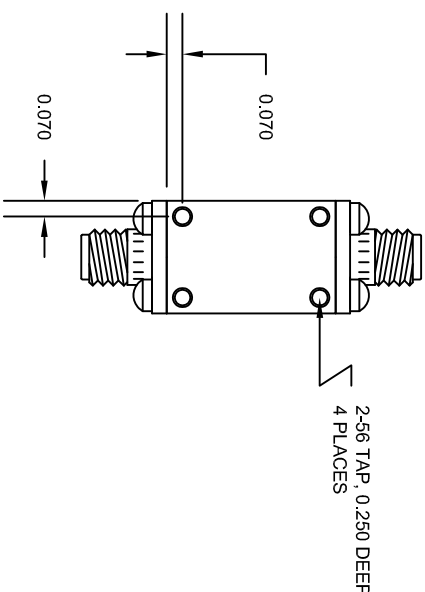
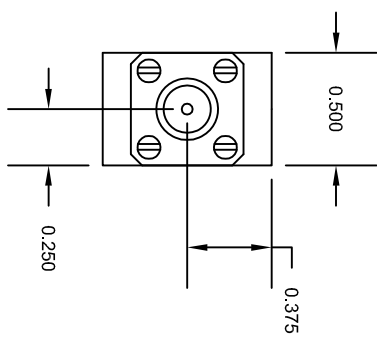
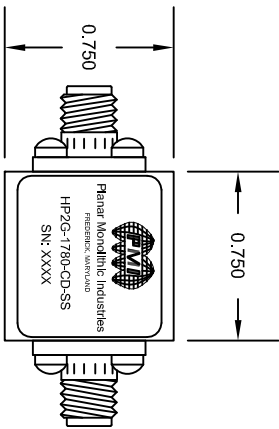
SPECIFICATIONS:

- PASSBAND: 2000 MHz TO 18000 MHz
- 3dB BANDWIDTH: 1780 MHz
- VSWR IN THE PASS BAND: 1.5:1 MAX.
- INSERTION LOSS (PASSBAND): 0.5 DB MAX.
- REJECTION AT 870 MHz: 80 DB MIN.
- CONNECTORS: SMA FEMALE CONNECTORS
- SIZE: 0.750" (L) x 0.750" (W) x 0.50" (H)
- WEIGHT: 1 OZ. TYP.

ENVIRONMENTAL RATINGS:

- TEMPERATURE: -55°C TO +85°C (OPERATING)
-65°C TO +125°C (STORAGE)
- HUMIDITY: MIL-STD-202F, METHOD 103B COND. B
- SHOCK: MIL-STD-202F, METHOD 213B COND. B
- VIBRATION: MIL-STD-202F, METHOD 204D COND. B
- TEMPERATURE CYCLE: MIL-STD-202F, METHOD 107

REVISIONS				
ZONE	REV.	DESCRIPTION	DATE	APPROVED
	A	ORIGINAL RELEASE	9/21/10	
	B	Mouting holes changed to 2-56	12/14/11	



ALL DIMENSIONS ARE IN INCHES
TOLERANCES:
XXX ±0.010
X.XXX ±0.005

NOTE: THE ABOVE SPECIFICATIONS ARE SUBJECT TO CHANGE OR REVISION

PART NO.		TITLE	
APPROVALS		PLANAR MONOLITHICS INDUSTRIES FREDERICK, MARYLAND	
DATE	DATE	SIZE	DWG NO.
3/21/10	3/21/10	A	27012561
DRAWN S PALACIO		ISSUED	REV.
CHECKED		SCALE N/A	B
			1 OF 1