



Standard BNC Female Bulkhead Mount Connector Clamp/  
Solder Attachment for RG316-DS, RG188-DS IP 67 Rated

TECHNICAL DATA SHEET

PE44886

**Configuration**

Connector	BNC Female
Connector Specification	MIL-STD-348A
Connector Interface Type	RG316-DS, RG188-DS
Attachment Method (Shield/Contact)	Clamp/Solder
Body Style	Straight
Mount Method	Bulkhead

**Electrical Specifications**

Frequency Range	DC to 2 GHz
Impedance	50 Ohms

**Mechanical Specifications**

**Connector**

Type	BNC Female
Contact Material and Plating	Beryllium Copper, Gold
Hex Size	11/16 in.
Body Material and Plating	Brass, Nickel
Dielectric Type	PTFE

**Compliance Certifications** (visit [www.Pasternack.com](http://www.Pasternack.com) for current document)

RoHS Compliant

**Plotted and Other Data**

Notes:

- Values at +25 °C, sea level

Standard BNC Female Bulkhead Mount Connector Clamp/Solder Attachment for RG316-DS, RG188-DS IP 67 Rated from Pasternack Enterprises has same day shipment for domestic and International orders. Our RF, microwave and millimeter wave products maintain a 99% availability and are part of the broadest selection in the industry.

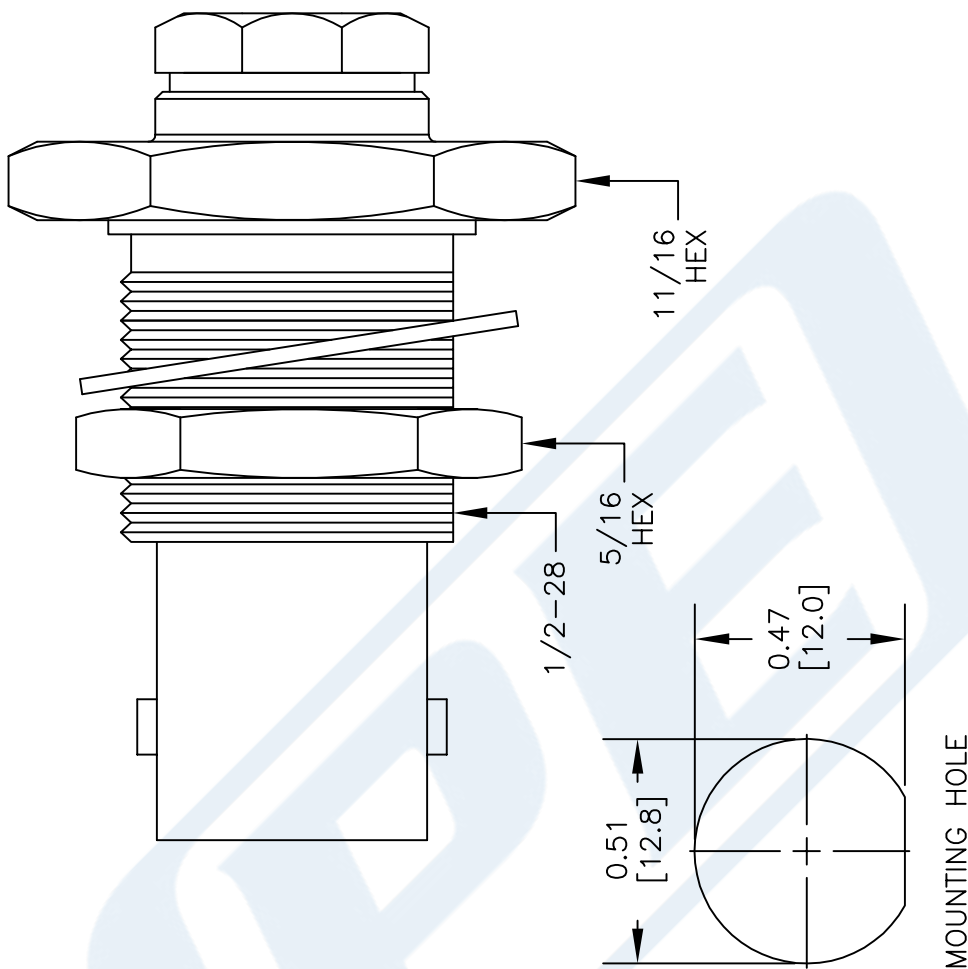
Click the following link (or enter part number in "SEARCH" on website) to obtain additional part information including price, inventory and certifications: [Standard BNC Female Bulkhead Mount Connector Clamp/Solder Attachment for RG316-DS, RG188-DS IP 67 Rated PE44886](http://www.pasternack.com/bnc-female-standard-rg316-rg188-rg174-connector-pe44886-p.aspx)

URL: <http://www.pasternack.com/bnc-female-standard-rg316-rg188-rg174-connector-pe44886-p.aspx>

The information contained in this document is accurate to the best of our knowledge and representative of the part described herein. It may be necessary to make modifications to the part and/or the documentation of the part, in order to implement improvements. Pasternack reserves the right to make such changes as required. Unless otherwise stated, all specifications are nominal. Pasternack does not make any representation or warranty regarding the suitability of the part described herein for any particular purpose, and Pasternack does not assume any liability arising out of the use of any part or documentation.

# PE44886 CAD Drawing

Standard BNC Female Bulkhead Mount Connector Clamp/Solder Attachment for RG316-DS, RG188-DS IP 67 Rated



## STRIPPING DIMENSIONS

## ASSEMBLY PROCEDURES

1. TRIM CABLE AS SHOWN
2. SLIDE FERRULE & BACK NUT ONTO CABLE
3. CRIMP FERRULE
4. CRIMP OR SOLDER BULLET CONTACT TO CABLE CENTER CONDUCTOR INSERT CABLE WITH BULLET CONTACT INTO BODY
5. APPLY THREAD LOCKING ADHESIVE ON THE THREADS OF THE BACK NUT
6. TORQUE BACK NUT DOWN TO 15 IN-LB

## CRIMP SIZE REQUIRED

CONTACT: CRIMP OR SOLDER  
 FERRULE: .128" HEX CRIMP TOOL

**PE PASTERNAK**  
 THE ENGINEER'S RF SOURCE  
 Pasternack Enterprises, Inc.  
 P.O. Box 16759 | Irvine | CA | 92623  
 Phone: (949) 261-1920 | Fax: (949) 261-7451  
 Website: www.pasternack.com | E-Mail: sales@pasternack.com

DWG TITLE  
**PE44886**

FSCM NO. 53919

NOTES:  
 1. UNLESS OTHERWISE SPECIFIED ALL DIMENSIONS ARE NOMINAL.  
 2. ALL SPECIFICATIONS ARE SUBJECT TO CHANGE WITHOUT NOTICE AT ANY TIME.  
 3. DIMENSIONS ARE IN INCHES (mm).

CAD FILE 061014

SCALE N/A

SIZE A

150