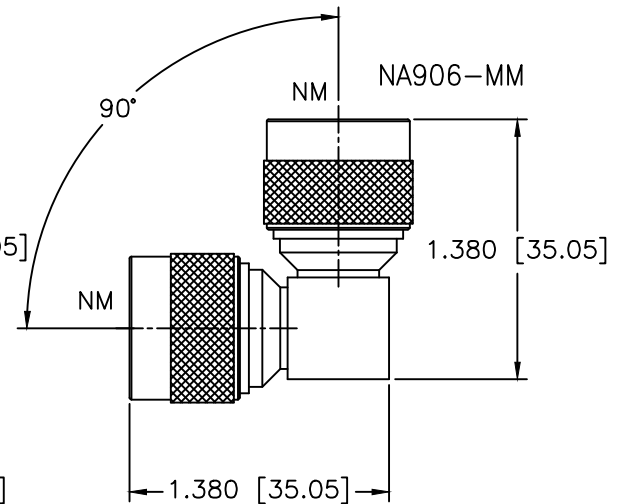
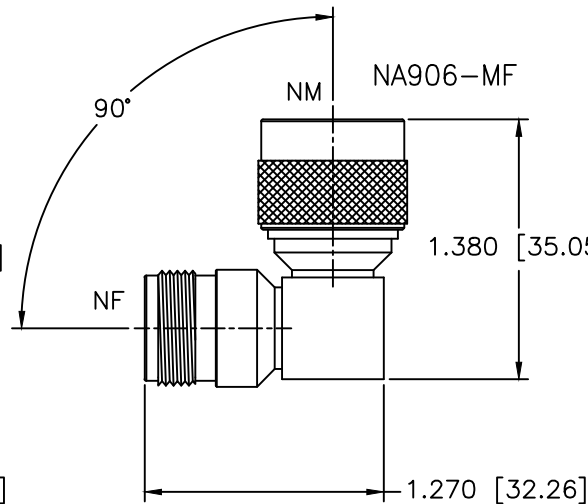
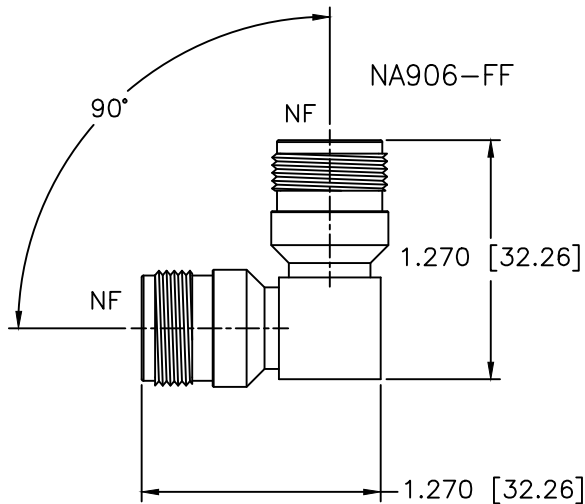


REVISIONS				
ZONE	REV	DESCRIPTION	Date	APPROVED



Specifications

Frequency: DC-6 GHz
 Impedance: 50 Ohms
 VSWR: 1.20:1 Max. @ 6 GHz

Mechanical

Material Body: Si Plated Brass
 Material Contacts: Gold Plated MIL-G-45204
 Dielectric: Teflon
 Interface: MIL-STD-348A

MATERIAL:		MICROWAVE COMMUNICATIONS LABORATORIES INC. 7255 30TH AVE. N. SAINT PETERSBURG, FL 33710 TEL: (727) 344-6254 FAX: (727) 381-6116 http://WWW.MCLI.COM	SCALE:	N/A
			SHEET:	N/A
UNLESS OTHERWISE SPECIFIED: TOLERANCES IN (INCHES) OR [mm] (MILLIMETERS) FRACTIONS: ± 1/64 DECIMALS: ±.02 ±.015 ANGLE: ±1/2°		DRAWING TITLE: TYPE N ADAPTER, 90° ANGLE		
DRAWN: Paiboon Luekhamhan		PART NO. NA906-X		
DATE: 08-26-2011		CAGE CODE: OD2L5		
APPROVED: T. Nguyen		DATE: 08-26-2011		
THIRD ANGLE PROJECTION		SIZE: A REV: N/A DWG. NO. 85869		
		DO NOT SCALE THE DRAWING		