



## SMD INDUCTOR DR354-4 SERIES

### Features

- SMD Chip Inductor, Low Profile
- Suitable for High Frequency Application
- Inductance Range from 10nH to 4.7 $\mu$ H
- Operating Temp. -40°C to +125°C
- Tinned Leads with Leaded Solder is Available (note 6)



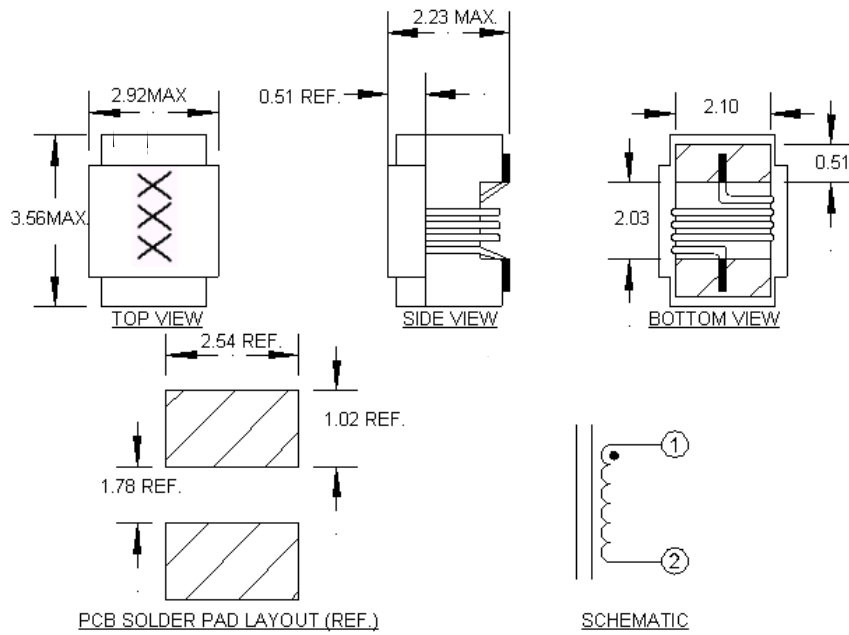
### ELECTRICAL SPECIFICATIONS AT 25°C

PART NO.	PERCENT TOLERANCE, T	INDUCTANCE (nH)		DCR ( $\Omega$ ) MAX.	MAX. RATED CURRENT (A)
DR354-4-103-T	20, 10, 5	10	@50MHz	0.08	1.000
DR354-4-123-T	20, 10, 5	12	@50MHz	0.09	1.000
DR354-4-153-T	20, 10	15	@50MHz	0.10	1.000
DR354-4-183-T	20, 10, 5	18	@50MHz	0.11	1.000
DR354-4-223-T	20, 10, 5	22	@50MHz	0.12	1.000
DR354-4-273-T	20, 10, 5	27	@50MHz	0.13	1.000
DR354-4-333-T	10, 5, 2	33	@50MHz	0.14	1.000
DR354-4-393-T	10, 5, 2	39	@50MHz	0.15	1.000
DR354-4-473-T	10, 5, 2	47	@50MHz	0.16	1.000
DR354-4-563-T	10, 5, 2	56	@50MHz	0.18	1.000
DR354-4-683-T	10, 5, 2	68	@50MHz	0.20	1.000
DR354-4-823-T	10, 5, 2	82	@50MHz	0.22	1.000
DR354-4-104-T	10, 5, 2	100	@25MHz	0.24	0.980
DR354-4-124-T	10, 5, 2	120	@25MHz	0.26	0.920
DR354-4-154-T	10, 5, 2	150	@25MHz	0.29	0.870
DR354-4-184-T	10, 5, 2	180	@25MHz	0.31	0.830
DR354-4-224-T	10, 5, 2	220	@25MHz	0.35	0.790
DR354-4-274-T	10, 5, 2	270	@25MHz	0.42	0.730
DR354-4-334-T	10, 5, 2	330	@25MHz	0.49	0.680
DR354-4-394-T	10, 5, 2	390	@25MHz	0.54	0.640
DR354-4-474-T	10, 5, 2	470	@25MHz	0.60	0.610
DR354-4-564-T	10, 5, 2	560	@25MHz	1.00	0.460
DR354-4-624-T	10, 5, 2	620	@25MHz	1.08	0.430
DR354-4-684-T	10, 5, 2	680	@25MHz	1.15	0.420
DR354-4-754-T	10, 5, 2	750	@25MHz	1.20	0.410
DR354-4-824-T	10, 5, 2	820	@25MHz	1.93	0.350
DR354-4-914-T	10, 5, 2	910	@25MHz	2.02	0.340
DR354-4-105-T	10, 5, 2	1000	@25MHz	2.16	0.330
DR354-4-125-T	20, 10, 5	1200	@7.9MHz	2.38	0.310
DR354-4-155-T	20, 10, 5	1500	@7.9MHz	2.64	0.300
DR354-4-185-T	20, 10, 5	1800	@7.9MHz	2.76	0.290
DR354-4-225-T	20, 10, 5	2200	@7.9MHz	2.98	0.280
DR354-4-275-T	20, 10, 5	2700	@7.9MHz	3.30	0.260
DR354-4-335-T	20, 10, 5	3300	@7.9MHz	3.66	0.250
DR354-4-395-T	20, 10, 5	3900	@7.9MHz	4.00	0.240
DR354-4-475-T	20, 10, 5	4700	@7.9MHz	4.30	0.230

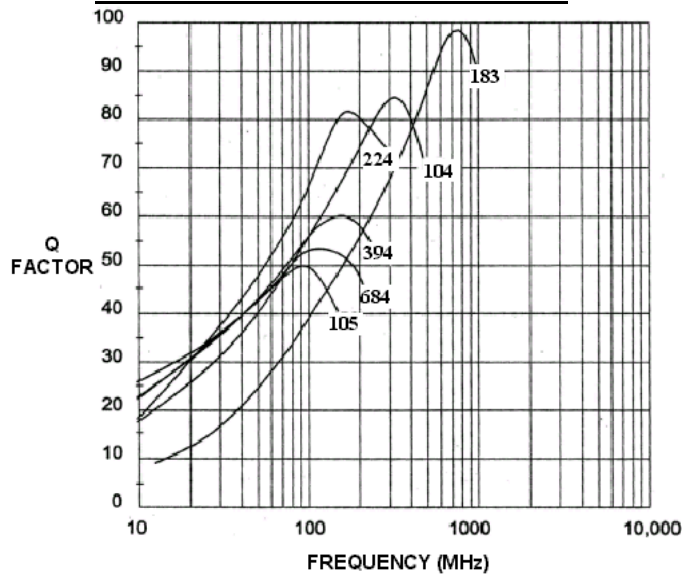
INDUCTANCE TOLERANCE: WHEN ORDERING, PLEASE SPECIFY THE TOLERANCE.

-T (M=±20%, K=±10%, J=±5%, G=±2%)

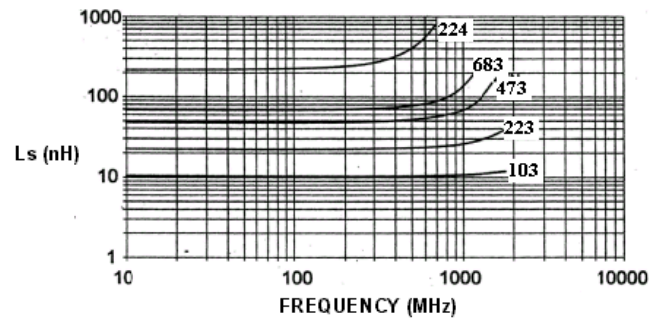
**MECHANICAL OUTLINES**



**Q VS FREQUENCY RESPONSE**



**Ls VS FREQUENCY RESPONSE**



**Notes:**

1. All dimensions are shown in millimeter "mm"
2. General tolerance  $\pm 0.1$ mm, unless other specified
3. Tape and reel quantity, 4000 pcs/reel
4. Terminal finish is compliant to RoHS requirements and is gold plated
5. Solder in accordance with J-STD-002 Rev. D
6. Non-RoHS series parts 42-354-4-XXX are finished with leaded solder Sn60Pb40 or equivalent