

Passband 1: 1027 to 1033 MHz

## Diplexer (BP/BP)

Passband 1 Isolation: 50 dB

Passband 2: 1087 to 1100 MHz

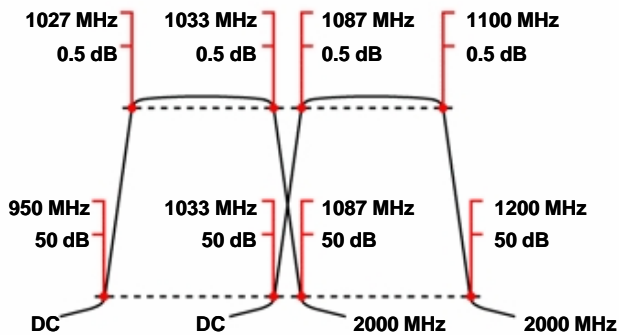
WDCTV5+5-1027-1033/1087-1100-50

Passband 2 Isolation: 50 dB

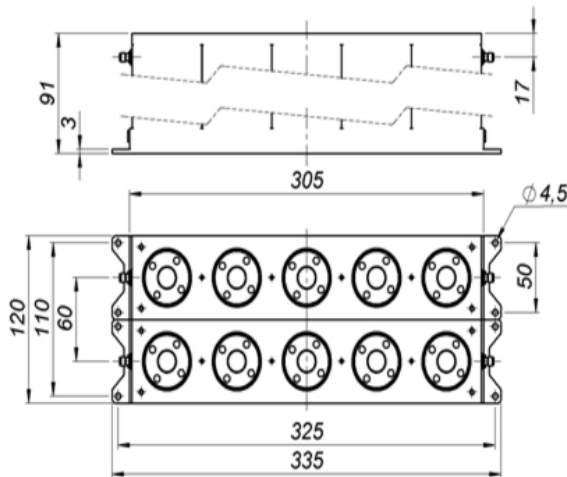
### Specifications

	Band 1 (Bandpass)	Band 2 (Bandpass)
Passbands:	1027 to 1033 MHz	1087 to 1100 MHz
Passband Insertion Loss:	0.5 dB max.	0.5 dB max.
Passband Return Loss:	17 dB min.	17 dB min.
Stopbands:	DC-950 & 1087-2000 MHz	DC-1033 & 1200-2000 MHz
Stopband Attenuation:	50 & 50 dB min.	50 & 50 dB min.
Operating Temperature:	15 °C to 45 °C	
Power Handling:	max. 300 W CW into a 2:1 VSWR (Please see our <a href="#">warranty</a> in this regard)	
Dimensions (L x W x H):	305 x 120 x 91 mm (plus connectors and flanges)	
Approx. Weight:	6.7 kg	
Mounting Provision:	15 mm flanges on both ends with 4.5 mm holes	
Connector Common:	- Please choose -	
Connector Band 1:	- Please choose -	
Connector Band 2:	- Please choose -	

### Typical Performance



### 5+5 Section Cavity Design



©2015 Wainwright Instruments. All rights reserved.

### Euro Prices

(USD Prices will be quoted for US-based customers only)

1 - 4 pcs:	€ 2034
5 - 9 pcs:	€ 1932
10 - 24 pcs:	€ 1836

### Delivery Terms

FCA Andechs (free carrier) according to **Incoterms 2010**  
 In Deutschland liefern wir frachtfrei gemäß CPT **Incoterms 2010** (unversichert).  
 Regarding payment terms and warranty see [Terms and Conditions](#).  
**Delivery time:** normally 3 to 4 weeks - depending on quantity ordered and on our work load.

Customer is responsible for observing all applicable export laws in regard to filter application and location of end user



**Wainwright Instruments GmbH**  
 www.wainwright-filters.com

Tel: +49 8152 918230  
 Fax: +49 8152 918255  
 info@wainwright-filters.com