



50 Ohm N Female To 75 Ohm F Female Matching Pad
 Operating From DC to 3 GHz RoHS Compliant

TECHNICAL DATA SHEET

PE7074

50 Ohm N Female To 75 Ohm F Female Matching Pad Operating From DC to 3 GHz RoHS Compliant

Configuration

| | |
|---------------------------|--------------------|
| Design | Fixed Matching Pad |
| Body Style | Straight |
| Connector 1 | N Female |
| Impedance 1 | 50 Ohms |
| Connector Specification 1 | MIL-STD-348 |
| Connector 2 | F Female |
| Impedance 2 | 75 Ohms |

Electrical Specifications

| | |
|----------------------------|---------------|
| Frequency Range, GHz | DC to 3 |
| Maximum VSWR | 1.25:1 |
| Maximum Attenuation, dB | 5.7 |
| Attenuation Accuracy | ± 0.5 |
| Maximum Input Power, Watts | 2 |
| Peak Power, Watts | 250 |
| Peak Power Duty Cycle, µs | 5 |
| Directionality | Bidirectional |

Mechanical Specifications

Size

| | |
|---------------------------|----------------------------|
| Length, in [mm] | 1.88 [47.75] |
| Width/Dia., in [mm] | 0.63 [16] |
| Body Material and Plating | Passivated Stainless Steel |

Connector 1

| | |
|--------------------------------------|----------------------------|
| Type | N Female |
| Inner Conductor Material and Plating | Beryllium Copper, Gold |
| Body Material and Plating | Passivated Stainless Steel |

Connector 2

| | |
|--------------------------------------|---------------|
| Type | F Female |
| Inner Conductor Material and Plating | Brass, Nickel |
| Body Material and Plating | Brass, Nickel |

Compliance Certifications (visit www.Pasternack.com for current document)

| | |
|----------------|-----|
| RoHS Compliant | Yes |
|----------------|-----|

Click the following link (or enter part number in "SEARCH" on website) to obtain additional part information including price, inventory and certifications: [50 Ohm N Female To 75 Ohm F Female Matching Pad Operating From DC to 3 GHz RoHS Compliant PE7074](#)

The information contained in this document is accurate to the best of our knowledge and representative of the part described herein. It may be necessary to make modifications to the part and/or the documentation of the part, in order to implement improvements. Pasternack reserves the right to make such changes as required. Unless otherwise stated, all specifications are nominal.





50 Ohm N Female To 75 Ohm F Female Matching Pad
Operating From DC to 3 GHz RoHS Compliant

TECHNICAL DATA SHEET

PE7074

Plotted and Other Data

Notes:

Values at 25 °C, sea level

75 Ohm Type N Connectors Mate Only With Other 75 Ohm Connectors. Mating With 50 Ohm Connectors May Damage Center Conductors.

50 Ohm N Female To 75 Ohm F Female Matching Pad Operating From DC to 3 GHz RoHS Compliant from Pasternack Enterprises has same day shipment for domestic and International orders. Our RF, microwave and fiber optic products maintain a 99% availability and are part of the broadest selection in the industry.

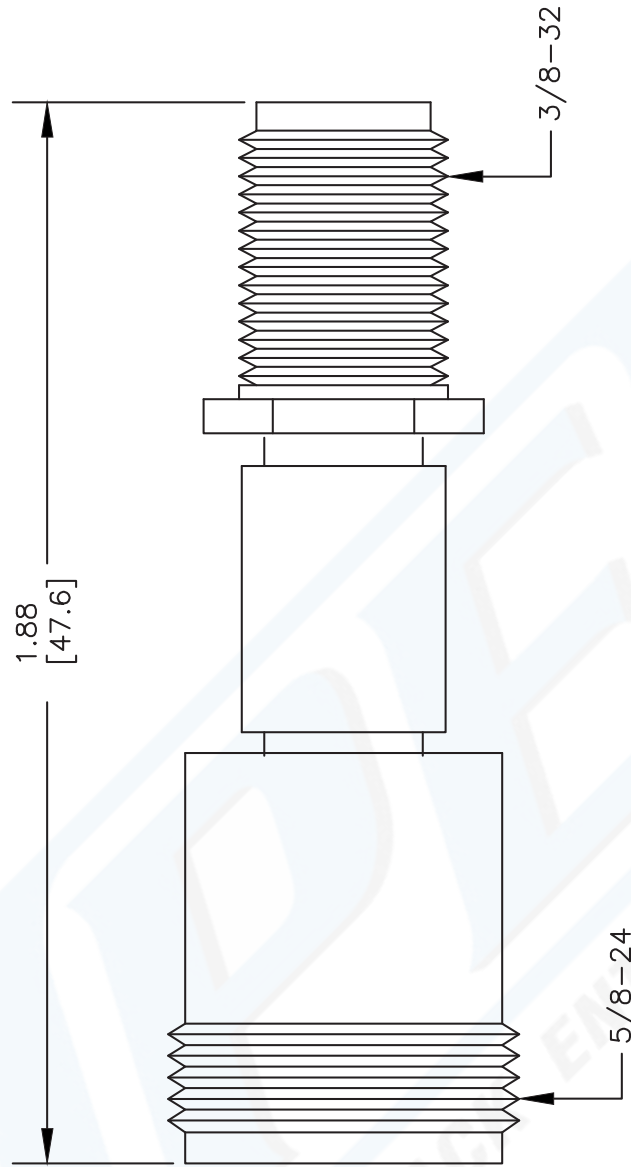
Click the following link (or enter part number in "SEARCH" on website) to obtain additional part information including price, inventory and certifications: [50 Ohm N Female To 75 Ohm F Female Matching Pad Operating From DC to 3 GHz RoHS Compliant PE7074](http://www.pasternack.com/50-ohm-n-female-75-ohm-f-female-matching-pad-pe7074-p.aspx)

URL: <http://www.pasternack.com/50-ohm-n-female-75-ohm-f-female-matching-pad-pe7074-p.aspx>

The information contained in this document is accurate to the best of our knowledge and representative of the part described herein. It may be necessary to make modifications to the part and/or the documentation of the part, in order to implement improvements. Pasternack reserves the right to make such changes as required. Unless otherwise stated, all specifications are nominal.

PE7074 CAD Drawing

50 Ohm N Female To 75 Ohm F Female Matching Pad
Operating From DC to 3 GHz RoHS Compliant



DWG TITLE

PE7074

NOTES:
1. UNLESS OTHERWISE SPECIFIED ALL DIMENSIONS ARE NOMINAL.
2. ALL SPECIFICATIONS ARE SUBJECT TO CHANGE WITHOUT NOTICE AT ANY TIME.
3. DIMENSIONS ARE IN INCHES [mm].

REV. A

FSCM NO. 53919

CAD FILE 020612

SCALE N/A

SIZE A

2233

PE PASTERNAK®
Pasternack Enterprises, Inc.
P.O. Box 16759 | Irvine | CA | 92623
Phone: (949) 261-1920 | Fax: (949) 261-7451
Website: www.pasternack.com | E-Mail: sales@pasternack.com