

BIAS MONITOR TEE

800-2000 MHz

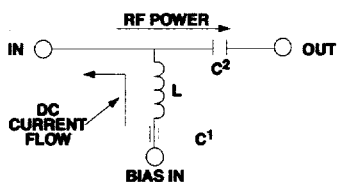
MODEL EP-1075

FEATURES

- 7/16 Main Line Connectors
- Covers Cellular and PCS Frequency Range
- Capable of withstanding simulated 4KV lightning
- Excellent Insertion Loss Characteristics
- High Power Rating of 80W Avg./Peak

DESCRIPTION:

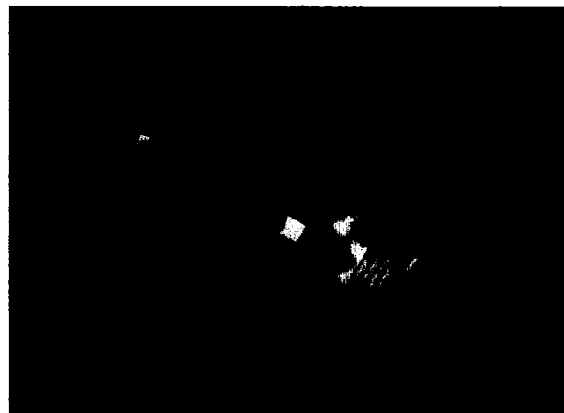
The EP-1075 is a high performance Bias Tee that can be used to inject a DC bias current into an RF transmission line to bias an RF Amplifier (for example) without loading the RF transmission line. The device includes a DC Block in one direction. It is capable of withstanding a lightning strike on the output terminal without affecting the bias circuit. (Lightning simulation is 4KV spike; risetime 10 μ s and falltime 350ms.)



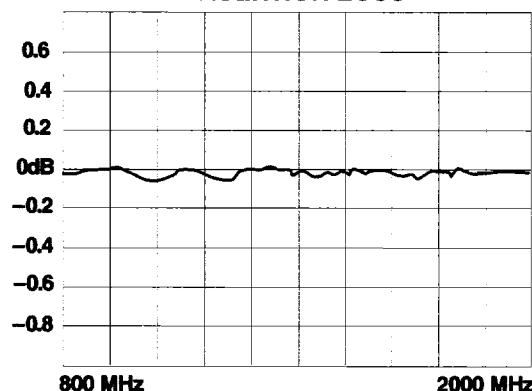
ELECTRICAL SPECIFICATIONS

Frequency Range	800 - 2000 MHz
RF Impedance	50 Ohms
RF Power	80 Watts Avg. and Peak
Bias Input	1.0 Amp max.
VSWR	1.2:1 max.
Insertion Loss	0.2dB max.
Voltage Breakdown	300 Volts min.
Mainline Capacitance	15 pF
Bias Capacitance	100 pF
Inductance	60 nH
Connectors	7/16 female; input/output * Solder Pins; bias/ground
Operating Temperature	-55 to +85°C

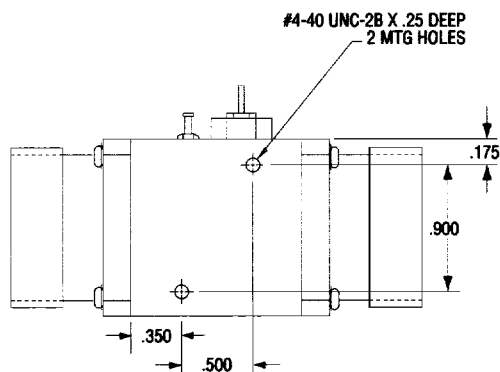
*Available in Type N, SMA, SMB



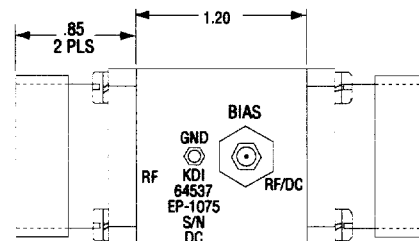
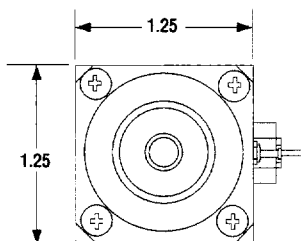
INSERTION LOSS



RETURN LOSS



MATES WITH 7/16 SERIES MALE CONN
INTERFACE DIMS PER IEC 169-4 STD
2 PLS



KDI/Triangle
CORPORATION

60 South Jefferson Road, Whippany, NJ 07981 • Phone: 201.887.8100 • Fax: 201.884.0445