



N Female Connector Field Replaceable Attachment 4 Hole Flange  
Slotted Contact Terminal, 1.0 Sq. Flange Watt Meter Connector

**TECHNICAL DATA SHEET**

**PE44722**

**N Female Connector Field Replaceable Attachment 4 Hole Flange Slotted Contact Terminal, 1.0 Sq. Flange Watt Meter Connector**

**Configuration**

Connector	N Female
Connector Specification	MIL-STD-348
Connector Interface Type	Slotted Contact
Cable Attachment Method (Shield/Contact)	Field Replaceable
Body Style	Straight
Mount Method	4 Hole Flange

**Electrical Specifications**

Frequency Range, GHz	DC to 11
Impedance, Ohms	50
Maximum Operating Voltage, Volts	1,000
Dielectric Withstanding Voltage, Vrms	2,500

**Mechanical Specifications**

**Temperature**

Operating Range, deg C	-65 to +165
------------------------	-------------

**Size**

Length, in [mm]	1.141 [28.98]
Width/Dia., in [mm]	1 [25.40]
Height, in [mm]	1 [25.4]
Weight, lbs [g]	0.09 [40.82]

**Connector**

Type	N Female
Contact Material and Plating	Silver
Body Material and Plating	Brass, Nickel
Dielectric Type	PTFE

**Compliance Certifications** (visit [www.Pasternack.com](http://www.Pasternack.com) for current document)

RoHS Compliant	Yes
----------------	-----

Click the following link (or enter part number in "SEARCH" on website) to obtain additional part information including price, inventory and certifications: [N Female Connector Field Replaceable Attachment 4 Hole Flange Slotted Contact Terminal, 1.0 Sq. Flange Watt Meter Connector PE44722](#)

The information contained in this document is accurate to the best of our knowledge and representative of the part described herein. It may be necessary to make modifications to the part and/or the documentation of the part, in order to implement improvements. Pasternack reserves the right to make such changes as required. Unless otherwise stated, all specifications are nominal.





N Female Connector Field Replaceable Attachment 4 Hole Flange  
Slotted Contact Terminal, 1.0 Sq. Flange Watt Meter Connector

**TECHNICAL DATA SHEET**

**PE44722**

**Plotted and Other Data**

Notes:

Values at 25 °C, sea level

N Female Connector Field Replaceable Attachment 4 Hole Flange Slotted Contact Terminal, 1.0 Sq. Flange Watt Meter Connector from Pasternack Enterprises has same day shipment for domestic and International orders. Our RF, microwave and fiber optic products maintain a 99% availability and are part of the broadest selection in the industry.

Click the following link (or enter part number in "SEARCH" on website) to obtain additional part information including price, inventory and certifications: [N Female Connector Field Replaceable Attachment 4 Hole Flange Slotted Contact Terminal, 1.0 Sq. Flange Watt Meter Connector PE44722](http://www.pasternack.com/n-female-standard-slotted-contact-terminal-connector-pe44722-p.aspx)

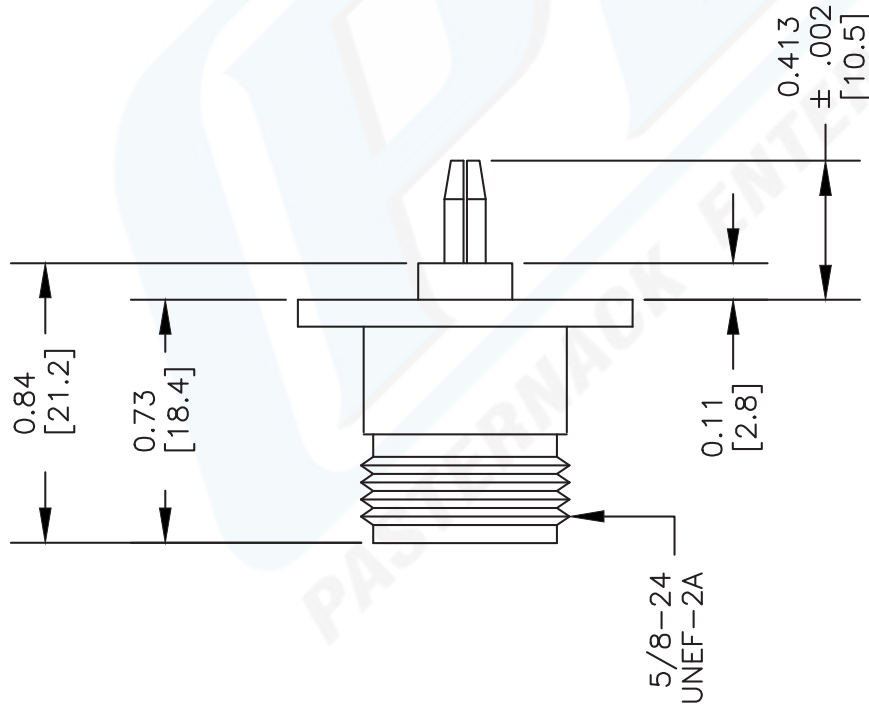
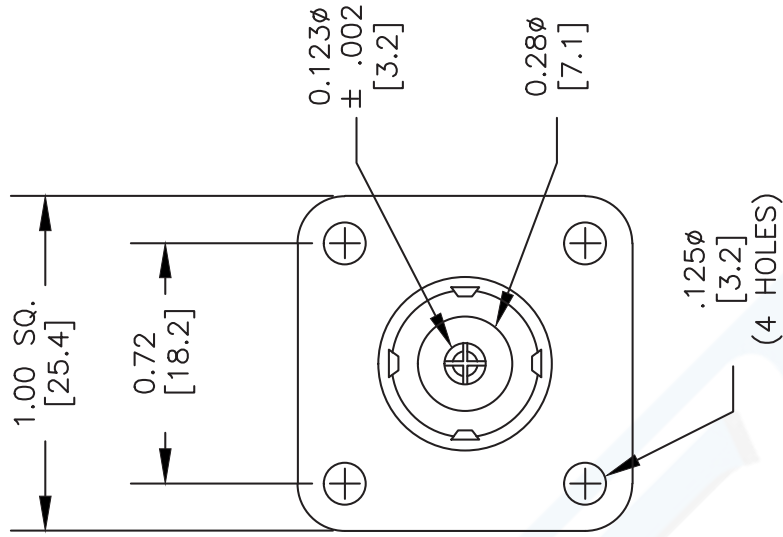
URL: <http://www.pasternack.com/n-female-standard-slotted-contact-terminal-connector-pe44722-p.aspx>

The information contained in this document is accurate to the best of our knowledge and representative of the part described herein. It may be necessary to make modifications to the part and/or the documentation of the part, in order to implement improvements. Pasternack reserves the right to make such changes as required. Unless otherwise stated, all specifications are nominal.



# PE44722 CAD Drawing

N Female Connector Field Replaceable Attachment 4 Hole Flange  
 Slotted Contact Terminal, 1.0 Sq. Flange Watt Meter Connector



DWG TITLE

**PE44722**

NOTES:  
 1. UNLESS OTHERWISE SPECIFIED ALL DIMENSIONS ARE NOMINAL.  
 2. ALL SPECIFICATIONS ARE SUBJECT TO CHANGE WITHOUT NOTICE AT ANY TIME.  
 3. DIMENSIONS ARE IN INCHES [mm].  
 4. FITS MIL-C-17 AND EQUIVALENT CABLES.

REV. -

FSCM NO. 53919

CAD FILE 020712

SCALE N/A

SIZE A

2233



Pasternack Enterprises, Inc.  
 P.O. Box 16759 | Irvine | CA | 92623  
 Phone: (949) 261-1920 | Fax: (949) 261-7451  
 Website: www.pasternack.com | E-Mail: sales@pasternack.com