

N Female Connector Clamp/Solder Attachment For 1/2 inch Annular



TECHNICAL DATA SHEET

PE44565

N Female Connector Clamp/Solder Attachment For 1/2 inch Annular

Configuration

Connector	N Female
Connector Interface Type	1/2 inch Annular
Cable Attachment Method (Shield/Contact)	Clamp/Solder
Body Style	Straight

Electrical Specifications

Frequency Range, GHz	DC to 3
Impedance, Ohms	50
Maximum VSWR	1.1:1
Maximum Insertion Loss, dB	0.05
Dielectric Withstanding Voltage, Vrms	2,500

Mechanical Specifications

Temperature

Operating Range, deg C	-55 to +155
------------------------	-------------

Size

Length, in [mm]	2.38 [60.45]
Width/Dia., in [mm]	0.88 [22]
Weight, lbs [g]	0.231 [104.78]

Connector

Type	N Female
Contact Material and Plating	Spring Bronze, Silver
Body Material and Plating	Brass, Tri-Metal
Dielectric Type	PTFE

Compliance Certifications (visit www.Pasternack.com for current document)

RoHS Compliant	Yes
----------------	-----

Plotted and Other Data

Notes:	Values at 25 °C, sea level
--------	----------------------------

URL: <http://www.pasternack.com/n-female-standard-1-2-inch-annular-connector-pe44565-p.aspx>

N Female Connector Clamp/Solder Attachment For 1/2 inch Annular from Pasternack Enterprises has same day shipment for domestic and International orders. We maintain 99% availability of the industry's broadest selection of RF, microwave and fiber optic products.

The information contained in this document is accurate to the best of our knowledge and representative of the part described herein. It may be necessary to make modifications to the part and/or the documentation of the part, in order to implement improvements. Pasternack reserves the right to make such changes as required. Unless otherwise stated, all specifications are nominal.

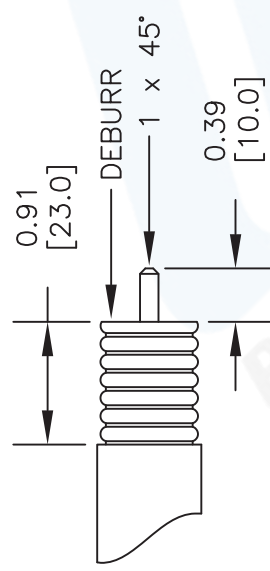
PE44565 CAD Drawing

N Female Connector Clamp/Solder Attachment For 1/2 inch Annular



ASSEMBLY PROCEDURES

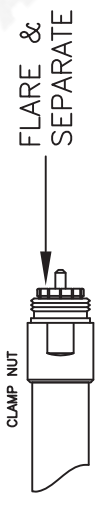
1. STRIP CABLE AS SHOWN, CHAMFER CENTER CONDUCTOR & DEBURR CABLE. SLIDE HEAT SHRINK OVER CABLE.



2. GREASE O-RING INSIDE OF CLAMP NUT. INSTALL CLAMP NUT ONTO CABLE.



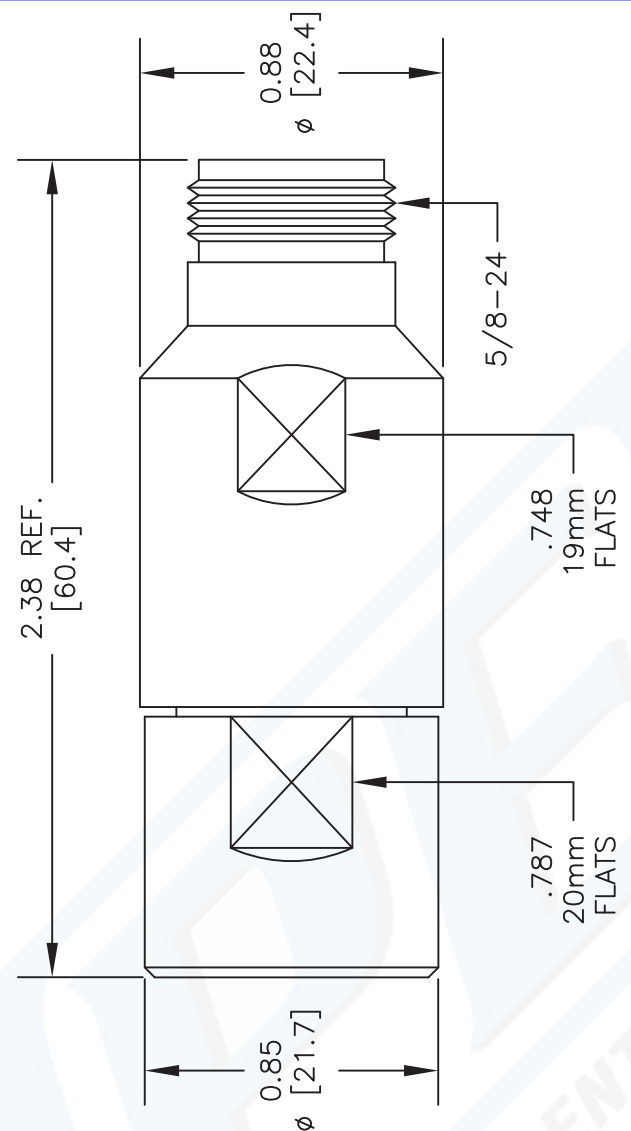
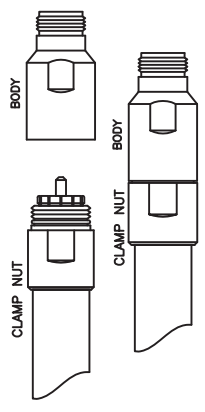
3. FLARE THE OUTER CONDUCTOR, SEPARATING THE OUTER CONDUCTOR FROM THE INSULATOR.



4. SLIDE O-RING OVER THREAD AND SEAT INTO PLACE. GREASE O-RING.



5. HOLD CLAMP NUT STEADY & SCREW BODY TIGHTLY ONTO CABLE.



NOTES:
 1. UNLESS OTHERWISE SPECIFIED ALL DIMENSIONS ARE NOMINAL.
 2. ALL SPECIFICATIONS ARE SUBJECT TO CHANGE WITHOUT NOTICE AT ANY TIME.
 3. DIMENSIONS ARE IN INCHES [mm].
 4. FITS MIL-C-17 AND EQUIVALENT CABLES.

DWG TITLE
PE44565

PASTERNAK ENTERPRISES, INC.
 P.O. BOX 16758, IRVINE, CA 92623
 PHONE (949) 261-1920 FAX (949) 261-7451
 WEB ADDRESS: www.pasternack.com
 E-MAIL ADDRESS: sales@pasternack.com
COAXIAL & FIBER OPTICS



REV. B	FSCM NO. 53919	CAD FILE 031912	SCALE N/A	SIZE A	2233
--------	----------------	-----------------	-----------	--------	------