

Microstrip Isolators

Part Number: KTMI-2602A

Main Features:

- Frequency Range: 26GHz - 28.35GHz
- Small Size, Low Profile, Compact Design
- High Isolation, Low Insertion Loss
- Wide Operating Temperature : -40°C~+70°C
- Commercial, Military and Space Applications

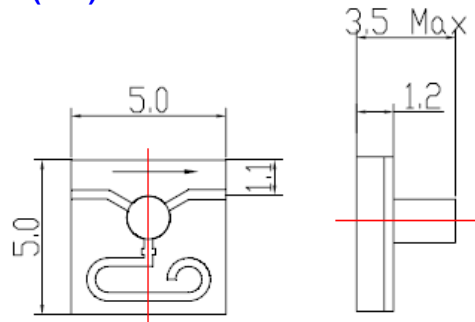
Electrical Specifications at Room Temperature:

Part Number	Freq. Range (GHz)	Bandwidth Max. (MHz)	Insertion Loss Max. (dB)	Isolation Min. (dB)	VSWR Max.	Forward Power (W)	Reverse Power (W)
KTMI-2602A	26 - 28.35	full	1.0	20	1.40	2	1

Electrical Specifications at - 40°C~+70°C Temperature:

Part Number	Freq. Range (GHz)	Bandwidth Max. (MHz)	Insertion Loss Max. (dB)	Isolation Min. (dB)	VSWR Max.	Forward Power (W)	Reverse Power (W)
KTMI-2602A	26 - 28.35	full	1.2	18	1.50	2	1

Mechanical Dimensions (mm):



HOW TO ORDER

