



75 Ohm N Female to F Male Adapter

RF Adapters Technical Data Sheet

PE9397

Configuration

Connector 1	N Female
Connector 2	F Male
Impedance	75 Ohms
Body Style	Straight

Electrical Specifications

Description	Minimum	Typical	Maximum	Units
Frequency Range	DC		3	GHz
VSWR			1.3:1	
Operating Voltage, DC			500	Volts
Operating Temperature	-40		85	deg C

Mechanical Specifications

Size	
Length	1.094 in [27.79 mm]
Width	0.669 in [16.99 mm]

Description	Connector 1	Connector 2	Unit
Type	N Female	F Male	
Polarity	Standard	Standard	
Mating Torque, Max		15	in-lbs

Material Specifications

Description	Connector 1		Connector 2	
	Material	Plating	Material	Plating
Type	N Female		F Male	
Contact	Brass	Gold 30µ in. minimum	Brass	Gold
Insulation	Teflon			
Body	Brass	Nickel 100µ in. minimum	Brass	Nickel 100µ in. minimum
Coupling Nut			Brass	Nickel 100µ in. minimum

Click the following link (or enter part number in "SEARCH" on website) to obtain additional part information including price, inventory and certifications: [75 Ohm N Female to F Male Adapter PE9397](#)



75 Ohm N Female to F Male Adapter

RF Adapters Technical Data Sheet

PE9397

Environmental Specifications

Temperature

Operating Range -40 to 85 deg C

Compliance Certifications (visit www.Pasternack.com for current document)

RoHS Compliant

REACH Compliant

06/18/2012

Plotted and Other Data

Notes:

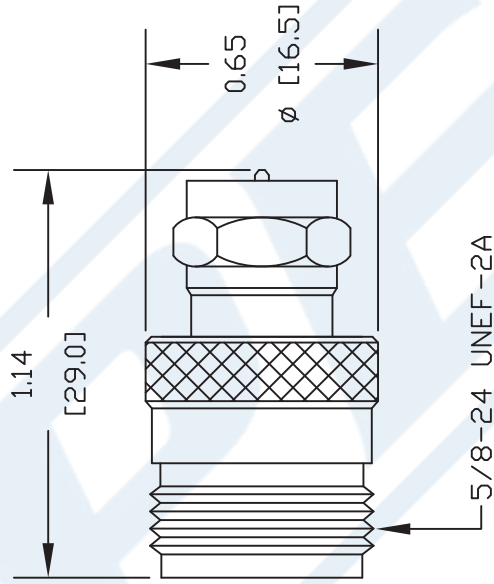
75 Ohm N Female to F Male Adapter from Pasternack Enterprises has same day shipment for domestic and International orders. Our RF, microwave and millimeter wave products maintain a 99% availability and are part of the broadest selection in the industry.

Click the following link (or enter part number in "SEARCH" on website) to obtain additional part information including price, inventory and certifications: [75 Ohm N Female to F Male Adapter PE9397](http://www.pasternack.com/n-female-f-male-straight-adapter-pe9397-p.aspx)

URL: <http://www.pasternack.com/n-female-f-male-straight-adapter-pe9397-p.aspx>

The information contained in this document is accurate to the best of our knowledge and representative of the part described herein. It may be necessary to make modifications to the part and/or the documentation of the part, in order to implement improvements. Pasternack reserves the right to make such changes as required. Unless otherwise stated, all specifications are nominal. Pasternack does not make any representation or warranty regarding the suitability of the part described herein for any particular purpose, and Pasternack does not assume any liability arising out of the use of any part or documentation.

PE9397 CAD Drawing
75 Ohm N Female to F Male Adapter



DWG TITLE

PE9397

NOTES:
1. UNLESS OTHERWISE SPECIFIED ALL DIMENSIONS ARE NOMINAL.
2. ALL SPECIFICATIONS ARE SUBJECT TO CHANGE WITHOUT NOTICE AT ANY TIME.
3. DIMENSIONS ARE IN INCHES [mm].

REV. -

FSCM NO. 53919

CAD FILE 091902

SCALE N/A

SIZE A

127



Pasternack Enterprises, Inc.
P.O. Box 16759 | Irvine | CA | 92623
Phone: (949) 261-1920 | Fax: (949) 261-7451
Website: www.pasternack.com | E-Mail: sales@pasternack.com