



SMA Female Connector Field Replaceable
 Attachment 2 Hole Flange 0.036 inch Pin

TECHNICAL DATA SHEET

PE44027

SMA Female Connector Field Replaceable Attachment 2 Hole Flange 0.036 inch Pin

Configuration

| | |
|--|-------------------|
| Connector | SMA Female |
| Connector Specification | MIL-STD-348 |
| Connector Interface Type | 0.036 inch Pin |
| Cable Attachment Method (Shield/Contact) | Field Replaceable |
| Body Style | Straight |
| Mount Method | 2 Hole Flange |

Electrical Specifications

| | |
|----------------------|----------|
| Frequency Range, GHz | DC to 18 |
| Impedance, Ohms | 50 |
| Maximum VSWR | 1.25:1 |

Mechanical Specifications

Size

| | |
|---------------------|---------------|
| Length, in [mm] | 0.375 [9.53] |
| Width/Dia., in [mm] | 0.223 [5.66] |
| Height, in [mm] | 0.625 [15.88] |
| Weight, lbs [g] | 0.006 [2.72] |

Connector

| | |
|-------------------------------|-------------------------------|
| Type | SMA Female |
| Contact Material and Plating | Beryllium Copper, Gold |
| Contact Plating Specification | MIL-G-45204, Type II, Class 2 |
| Body Material and Plating | Passivated Stainless Steel |
| Body Plating Specification | QQ-P-35 |
| Dielectric Type | Teflon |

Compliance Certifications (visit www.Pasternack.com for current document)

| | |
|----------------|-----|
| RoHS Compliant | Yes |
|----------------|-----|

Click the following link (or enter part number in "SEARCH" on website) to obtain additional part information including price, inventory and certifications: [SMA Female Connector Field Replaceable Attachment 2 Hole Flange 0.036 inch Pin PE44027](#)

The information contained in this document is accurate to the best of our knowledge and representative of the part described herein. It may be necessary to make modifications to the part and/or the documentation of the part, in order to implement improvements. Pasternack reserves the right to make such changes as required. Unless otherwise stated, all specifications are nominal.





SMA Female Connector Field Replaceable
Attachment 2 Hole Flange 0.036 inch Pin

TECHNICAL DATA SHEET

PE44027

Plotted and Other Data

Notes:

Values at 25 °C, sea level

SMA Female Connector Field Replaceable Attachment 2 Hole Flange 0.036 inch Pin from Pasternack Enterprises has same day shipment for domestic and International orders. Our RF, microwave and fiber optic products maintain a 99% availability and are part of the broadest selection in the industry.

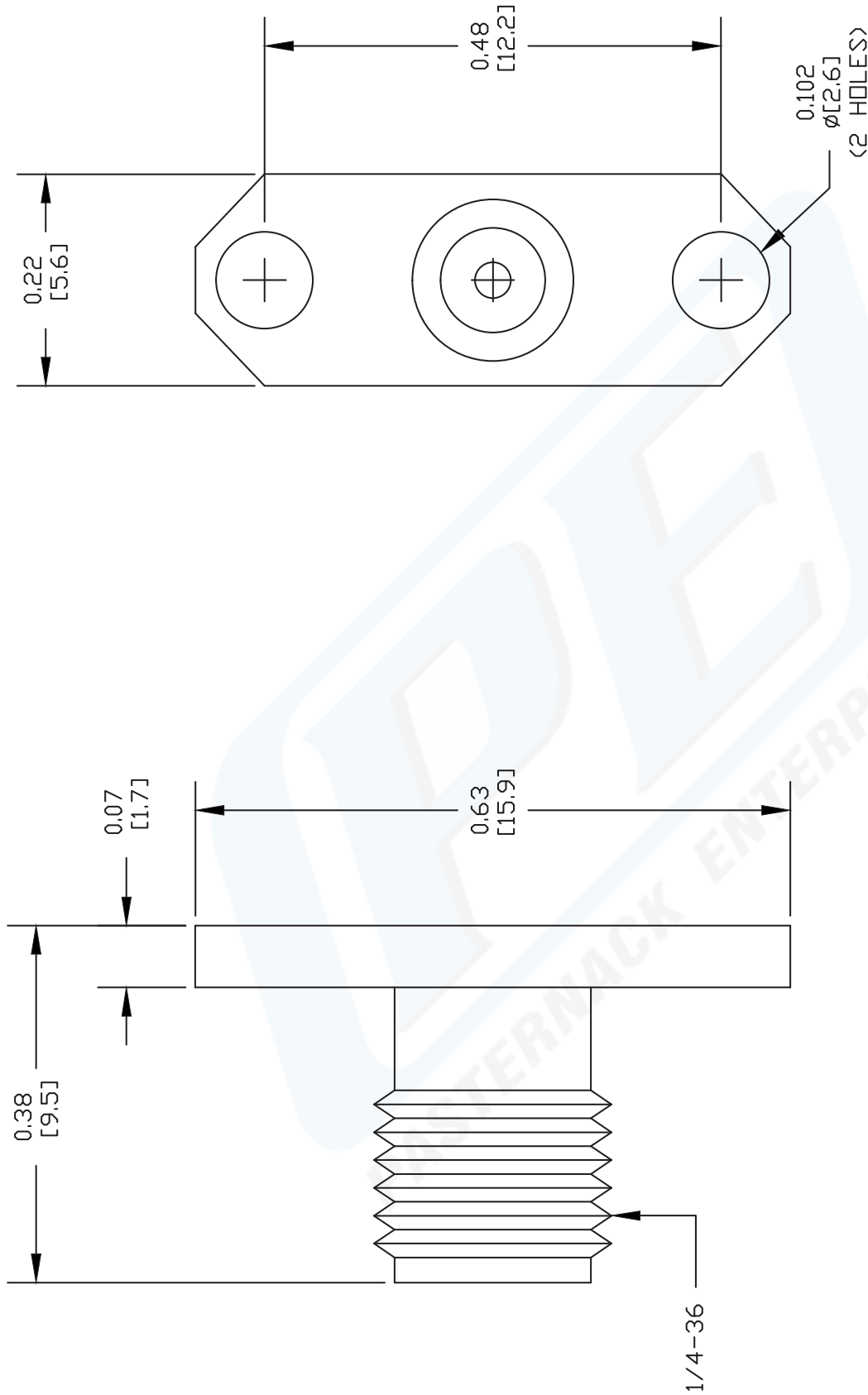
Click the following link (or enter part number in "SEARCH" on website) to obtain additional part information including price, inventory and certifications: [SMA Female Connector Field Replaceable Attachment 2 Hole Flange 0.036 inch Pin PE44027](#)

URL: <http://www.pasternack.com/sma-female-standard-0.036-pin-connector-pe44027-p.aspx>

The information contained in this document is accurate to the best of our knowledge and representative of the part described herein. It may be necessary to make modifications to the part and/or the documentation of the part, in order to implement improvements. Pasternack reserves the right to make such changes as required. Unless otherwise stated, all specifications are nominal.

PE44027 CAD Drawing

SMA Female Connector Field Replaceable Attachment 2 Hole Flange 0.036 inch Pin



NOTES:
 1. UNLESS OTHERWISE SPECIFIED ALL DIMENSIONS ARE NOMINAL.
 2. ALL SPECIFICATIONS ARE SUBJECT TO CHANGE WITHOUT NOTICE AT ANY TIME.
 3. DIMENSIONS ARE IN INCHES [mm].
 4. FITS MIL-C-17 AND EQUIVALENT CABLES.

DWG TITLE
PE44027

PASTERNAK
 Pasternack Enterprises, Inc.
 P.O. Box 16759 | Irvine | CA | 92623
 Phone: (949) 261-1920 | Fax: (949) 261-7451
 Website: www.pasternack.com | E-Mail: sales@pasternack.com

CAD FILE 062002 SCALE N/A SIZE A 127

FSCM NO. 53919