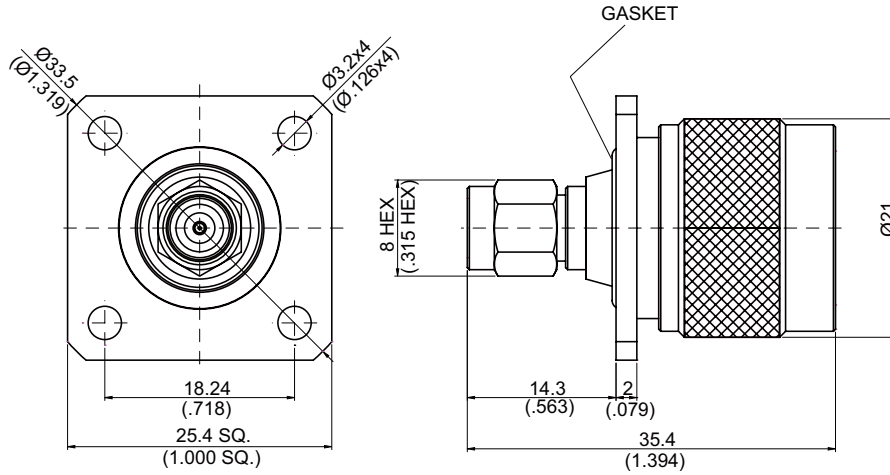


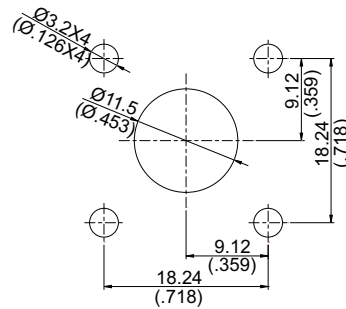
AD-A3N3-P4

SMA Plug To N Plug For Panel Receptacle

50Ω



MOUNTING HOLE



Typical VSWR

Part Number	1Ghz	2~4Ghz	5Ghz	6~12Ghz	13Ghz
AD-A3N3-P4	1.03	1.08	1.12	1.16	1.33

Parts	Material	Plating (Micro-inch)
Gasket	Silicon	
Retainer Ring(SMA)	Beryllium Copper	Tin-Zinc-Copper-Alloy 100 Over Copper 50
Coupling Nut(SMA)	Brass	Gold 5 Over Nickel 50 Over Copper 50
Retainer Ring	Brass	Tin-Zinc-Copper-Alloy 100 Over Copper 50
Contact Pin	Brass	Gold 10 Over Nickel 50 Over Copper 50
Insulator	Teflon	
Body(SMA)	Brass	Gold 5 Over Nickel 50 Over Copper 50
Body(N)	Brass	Tin-Zinc-Copper-Alloy 200 Over Copper 50
Coupling Nut(N)	Brass	Tin-Zinc-Copper-Alloy 100 Over Copper 50

Weight: 44.99 g

This part number complies with RoHS.

Notice: JYEBAO reserves the right to make modifications deemed appropriate.