

Drop-in Broadband Isolators

Part Number: KTDI-301A

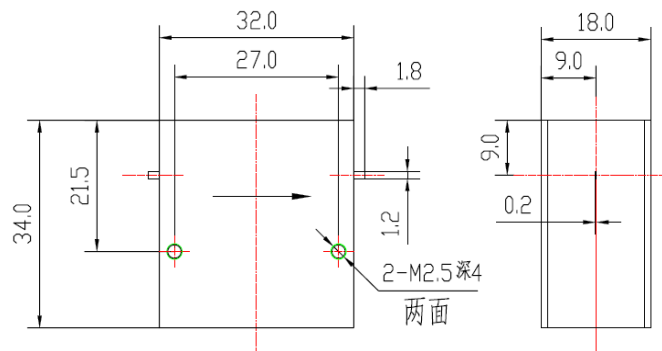
Main Features:

- Broad Frequency Range: 2GHz - 4GHz, Bandwidth up to Full
- High Isolation, Low Insertion Loss, High Power Handling
- Wide Operating Temperature: -30°C~+70°C
- Commercial, Military and Space Applications

Electrical Specifications at Room Temperature:

Part Number	Freq. Range (GHz)	Bandwidth Max. (MHz)	Insertion Loss Max. (dB)	Isolation Min. (dB)	VSWR Max.	Reverse Power (W)	Connector Type
KTDI-301A	2 - 4	full	0.6	18	1.40	10	TAB

Mechanical Dimensions (mm):



HOW TO ORDER

