



DC Block on Inner and Outer Conductor 50 Ohm BNC  
Male to BNC Female Operating From 10 MHz to 4 GHz

TECHNICAL DATA SHEET

PE8218

**DC Block on Inner and Outer Conductor 50 Ohm BNC Male to BNC Female Operating From 10 MHz to 4 GHz**

**Configuration**

Design	Inner/Outer DC Block
Body Style	Straight
Impedance	50 Ohms
Connector 1	BNC Male
Connector Specification 1	MIL-C-39012
Connector 2	BNC Female
Connector Specification 2	MIL-C-39012

**Electrical Specifications**

Frequency Range, GHz	0.01 to 4
Impedance, Ohms	50
Maximum VSWR	1.35:1
Maximum Insertion Loss, dB	0.5
Maximum Operating Voltage, Vrms	200

**Mechanical Specifications**

**Size**

Length, in [mm]	1.6 [40.64]
Width/Dia., in [mm]	0.57 [14.48]

**Connector 1**

Type	BNC Male
------	----------

**Connector 2**

Type	BNC Female
------	------------

**Compliance Certifications** (visit [www.Pasternack.com](http://www.Pasternack.com) for current document)

RoHS Compliant	Yes
----------------	-----

Click the following link (or enter part number in "SEARCH" on website) to obtain additional part information including price, inventory and certifications: [DC Block on Inner and Outer Conductor 50 Ohm BNC Male to BNC Female Operating From 10 MHz to 4 GHz PE8218](#)

The information contained in this document is accurate to the best of our knowledge and representative of the part described herein. It may be necessary to make modifications to the part and/or the documentation of the part, in order to implement improvements. Pasternack reserves the right to make such changes as required. Unless otherwise stated, all specifications are nominal.





DC Block on Inner and Outer Conductor 50 Ohm BNC  
Male to BNC Female Operating From 10 MHz to 4 GHz

## TECHNICAL DATA SHEET

PE8218

### Plotted and Other Data

Notes:

Values at 25 °C, sea level

DC Block on Inner and Outer Conductor 50 Ohm BNC Male to BNC Female Operating From 10 MHz to 4 GHz from Pasternack Enterprises has same day shipment for domestic and International orders. Our RF, microwave and fiber optic products maintain a 99% availability and are part of the broadest selection in the industry.

Click the following link (or enter part number in "SEARCH" on website) to obtain additional part information including price, inventory and certifications: [DC Block on Inner and Outer Conductor 50 Ohm BNC Male to BNC Female Operating From 10 MHz to 4 GHz PE8218](http://www.pasternack.com/50-ohm-bnc-inner-outer-dc-block-0.1-4-ghz-pe8218-p.aspx)

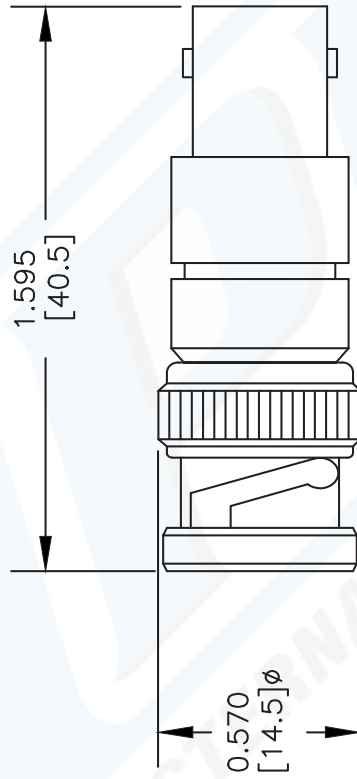
URL: <http://www.pasternack.com/50-ohm-bnc-inner-outer-dc-block-0.1-4-ghz-pe8218-p.aspx>

The information contained in this document is accurate to the best of our knowledge and representative of the part described herein. It may be necessary to make modifications to the part and/or the documentation of the part, in order to implement improvements. Pasternack reserves the right to make such changes as required. Unless otherwise stated, all specifications are nominal.



# PE8218 CAD Drawing

DC Block on Inner and Outer Conductor 50 Ohm BNC Male to BNC Female Operating From 10 MHz to 4 GHz



NOTES:  
 1. UNLESS OTHERWISE SPECIFIED ALL DIMENSIONS ARE NOMINAL.  
 2. ALL SPECIFICATIONS ARE SUBJECT TO CHANGE WITHOUT NOTICE AT ANY TIME.  
 3. DIMENSIONS ARE IN INCHES [mm].

DWG TITLE  
**PE8218**

FSCM NO. 53919

XXXX

SIZE A

SCALE N/A

CAD FILE 080502

**PE PASTERNAK®**  
 Pasternack Enterprises, Inc.  
 P.O. Box 16759 | Irvine | CA | 92623  
**Phone:** (949) 261-1920 | **Fax:** (949) 261-7451  
**Website:** www.pasternack.com | **E-Mail:** sales@pasternack.com