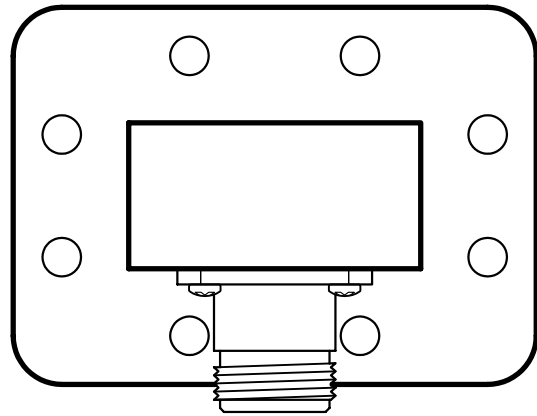
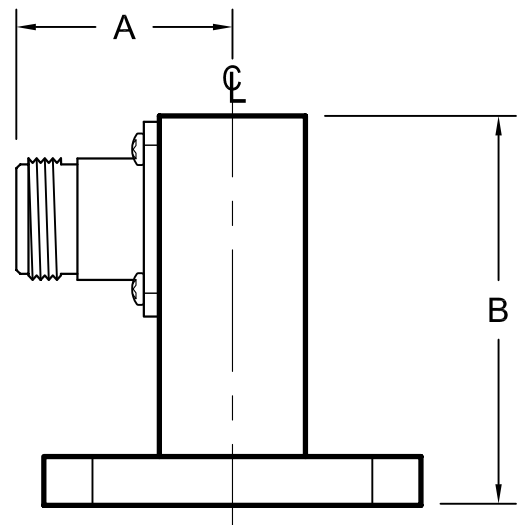
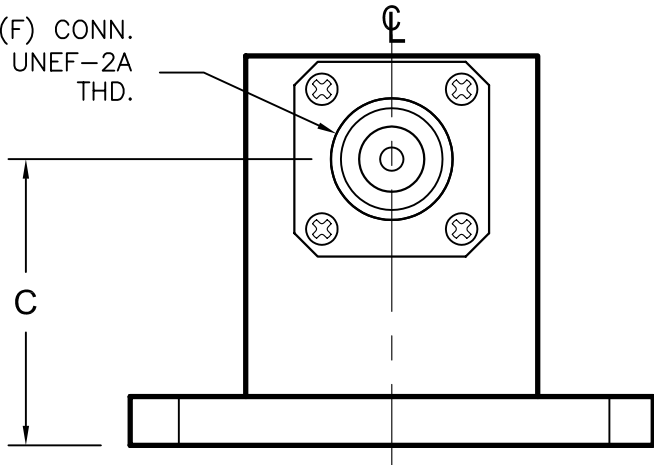


REV	AUTH	DATE	INITIAL RELEASE
A	RL	7/17/02	INITIAL RELEASE
B	JLE	1/13/03	WR102 DIM 'C' 1.14 WAS: 1.15; DIM 'B' IS: .164, WAS: .165
C	RL	6/11/03	ADDED WR650 TABLE DIMENSIONS
D	RL	09/09/05	REVISED TABLE DIMS FOR WR62, WR75, WR90
E	RL	04/03/06	DIMS REVISED PER ECN 04-03-06-01
F	M.R.	3/24/08	WR112 DIMS UPDATED TO REFLECT MACH'D BODY
G	BF	3/31/09	ADDED WR975 WG SIZE IN CHART
H	DM	10/19/10	ADDED WR510 WG SIZE IN CHART



FLANGE AS REQUESTED (CPRF SHOWN)

TYPE-N (F) CONN.
5/8-24 UNEF-2A THD.



WG SIZE	DIMENSION (INCHES)		
	A	B	C
WR62	1.08	1.00	0.65
WR75	1.09	1.00	0.63
WR90	1.10	1.00	0.63
WR102	1.18	1.64	1.14
WR112	1.15	1.14	0.68
WR137	1.11	2.00	1.47
WR159	1.20	2.33	1.70
WR187	1.24	2.60	1.90
WR229	1.37	2.25	1.35
WR284	1.49	2.50	1.51
WR340	1.67	3.50	2.29
WR430	1.89	4.00	2.30
WR510	2.09	5.00	2.93
WR650	2.44	5.00	2.40
WR975	3.30	8.00	4.00

THIRD ANGLE PROJECTION:		APPROVALS	DATE	ADVANCED TECHNICAL MATERIALS, INC. TEL: (631) 289-0363 FAX: (631) 289-0358 www.atmmicrowave.com		THE INFORMATION IN THIS DRAWING IS PROPRIETARY AND SHALL NOT BE USED OR DISCLOSED WITHOUT THE PRIOR WRITTEN CONSENT OF ATM, INC. DO NOT SCALE DWG.	
UNLESS OTHERWISE NOTED, DIMENSIONS ARE IN INCHES, TOLERANCES ARE: FRACTIONS: ±1/64 ANGLES: ±1/2°		DRAWN RL	04/03/06	OUTLINE, W/G-COAX ADAPTER TYPE-N			
BASIC DIMENSION		CHKD.					
UNDER 6"	DECIMALS 2 PLACE ±.02 3 PLACE ±.005	APRVD.		SIZE A	CAGE CODE OR8N4	ATM DWG # 5038W	REVISION H
6" - 12"	±.03 ±.010	MATERIAL PER ORDER		SCALE	NONE	MODEL # XXX-253X-XX	SHEET 1/1
OVER 12"	±.06 ±.015	TREATMENT -					
		FINISH ATM GRAY					