

TGD-A2 SERIES

From Tiger Microwave
Passive Components

P/N:TGD-A2022



FEATURES AND APPLICATION:

TGD-A2 series 90° hybrid adopts strip line structure. It gets low insertion loss, high isolation, good amplitude and phase accuracy, high power handling and so on. Quality conformity can be guaranteed even under mass production. The series is Tiger's standard product and can be customized according to specific needs.

TGD-A2022 is mainly used to combine and split power in the fields of communication, EW, radar, measuring and testing and so on.

TECHNICAL SPECIFICATIONS:

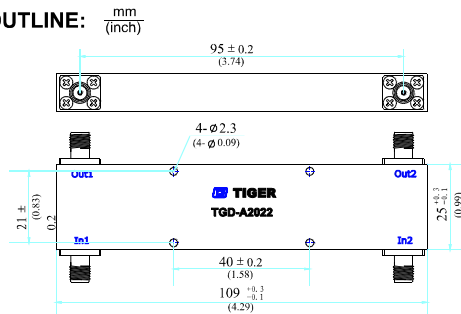
Frequency Range	Insertion Loss	Isolation	VSWR	Amplitude Balance
1-4GHz	0.80dB	20dB	1.30	±0.7dB
Phase Balance	Connector	Power Handling		
±5°	SMA-F	50W		

ENVIRONMENTAL PARAMETERS:

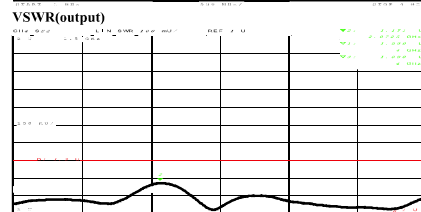
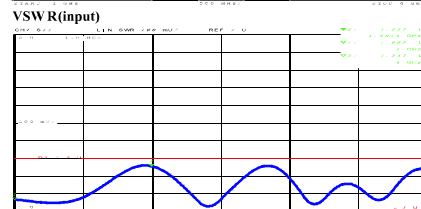
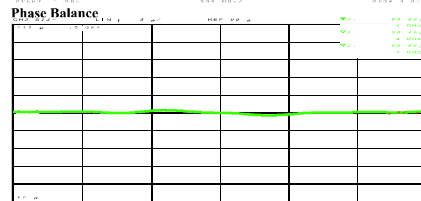
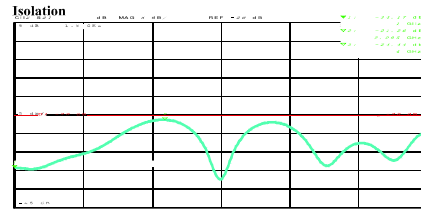
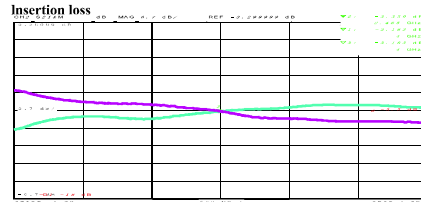
WORKING TEMPERATURE: -55~+85 ℃

STORAGE TEMPERATURE: -55~+100 ℃

OUTLINE:



TYPICAL PLOT:



TIGER

Tiger Microwave Industrial Park, NO.18, Xinwen Road, Hi -Tech West Zone, Chengdu, China
 Tel: +86-28-62811638 Fax: +86-28-62811637 edtiger@tiger-mw.com http://en.tiger-mw.com

TGD-A2 SERIES

From Tiger Microwave
Passive Components

P/N:TGD-A2023



FEATURES AND APPLICATION:

TGD-A2 series 90° hybrid adopts strip line structure. It gets low insertion loss, high isolation, good amplitude and phase accuracy, high power handling and so on. Quality conformity can be guaranteed even under mass production. The series is Tiger's standard product and can be customized according to specific needs.

TGD-A2023 is mainly used to combine and split power in the fields of communication, EW, radar, measuring and testing and so on.

TECHNICAL SPECIFICATIONS:

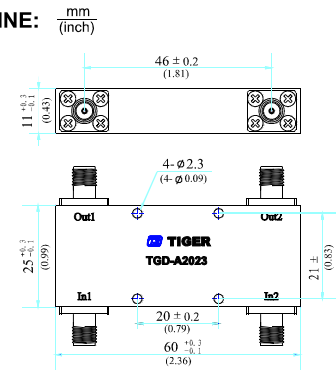
Frequency Range	Insertion Loss	Isolation	VSWR	Amplitude Balance
2-8GHz	1.00dB	18dB	1.35	±0.7dB
Phase Balance	Connector	Power Handling		
±6°	SMA-F	50W		

ENVIRONMENTAL PARAMETERS:

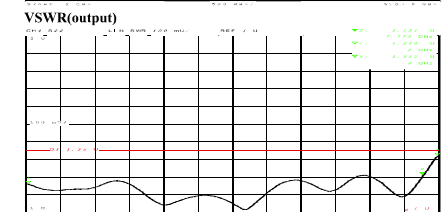
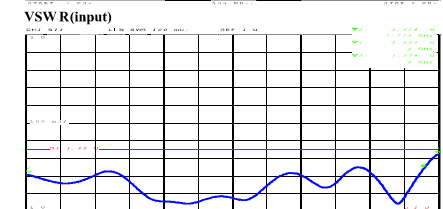
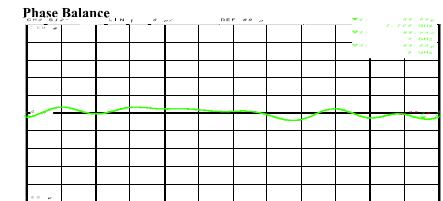
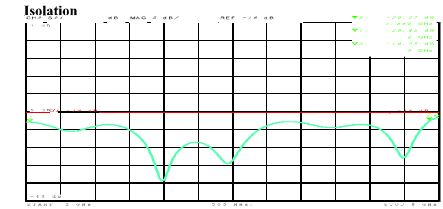
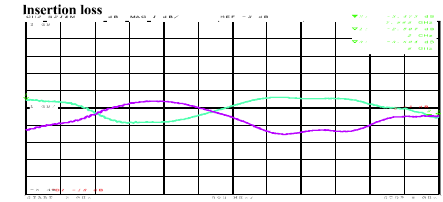
WORKING TEMPERATURE: -55~+85 ℃

STORAGE TEMPERATURE: -55~+100 ℃

OUTLINE:



TYPICAL PLOT:



TIGER

Tiger Microwave Industrial Park, NO.18, Xinwen Road, Hi -Tech West Zone, Chengdu, China
 Tel: +86-28-62811638 Fax: +86-28-62811637 edtiger@tiger-mw.com http://en.tiger-mw.com