

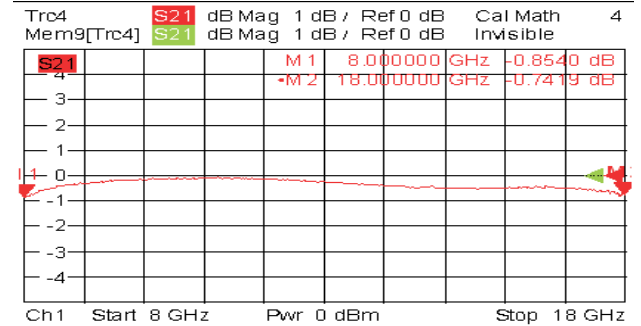
BROADBAND COAXIAL ISOLATOR

P/N:G601

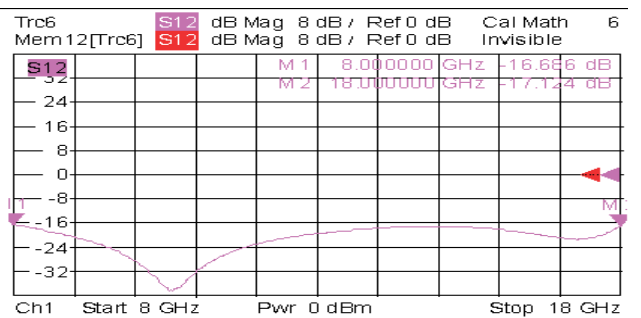


TYPICAL PLOT:

Insertion loss



Isolation



FEATURES AND APPLICATION:

- ◆ Octave or even wider Bandwidth with coaxial connectors at Input and Output Port
- ◆ Could be used in EW, Radar, Test systems and Wide Band Microwave Assemblys.

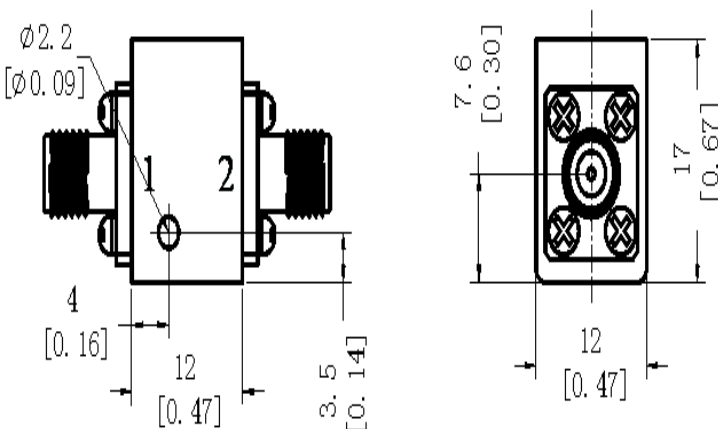
TECHNICAL SPECIFICATIONS:

Model Number	Frequency Range	Insertion Loss	VSWR	Isolation	Average Power FWD/REV	Transmission Direction	Connector
G601-1H	8-12GHz	0.5dB	1.3	20dB	10W/2W	From Left To Right	SMA-F
G601-1J	12-18GHz	0.5dB	1.3	20dB			
G601-1K	8-18GHz	1dB	1.5	15dB			

ENVIRONMENTAL PARAMETERS:

WORKING TEMPERATURE: -20~+70°C

OUTLINE: $\frac{\text{mm}}{\text{(inch)}}$



VSWR

