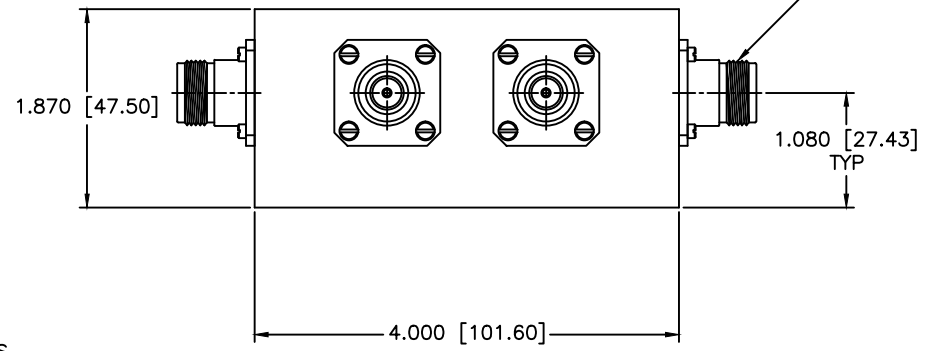
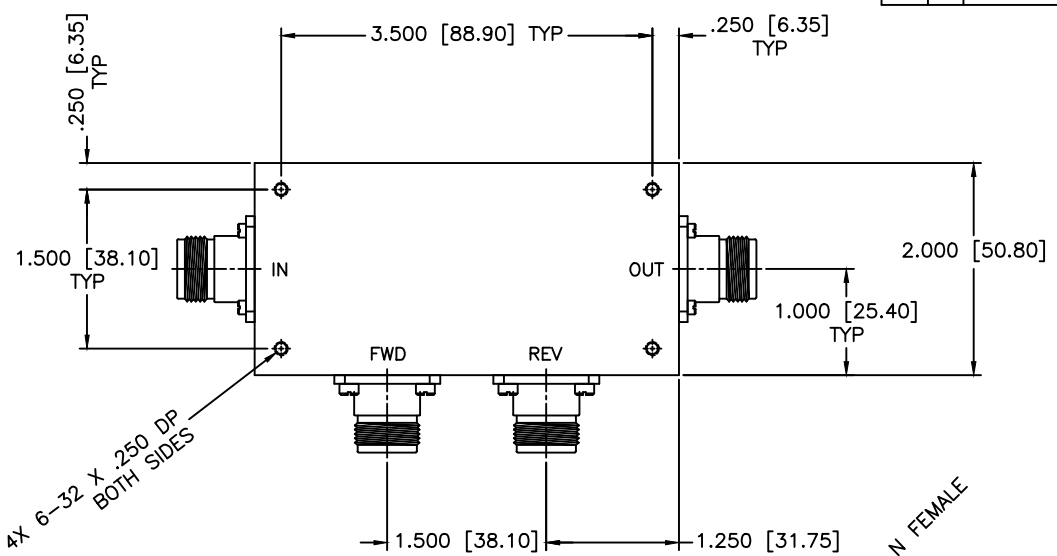


REVISIONS				
ZONE	REV	DESCRIPTION	DATE	APPROVED



**SPECIFICATIONS**

FREQUENCY RANGE: 1-100 MHz  
 COUPLING: 30±1.0dB  
 FLATNESS: ±0.20dB  
 INSERTION LOSS: 0.25dB Max.  
 DIRECTIVITY: 25dB Min.  
 VSWR PRIME LINE: 1.15:1 Max.  
 POWER: 100W

MATERIAL:		<p>MICROWAVE COMMUNICATIONS LABORATORIES INC.        7255 30TH AVE. N. SAINT PETERSBURG, FL 33710        TEL: (727) 344-6254 FAX: (727) 381-6116        http://WWW.MCLI.COM</p>	SCALE:	N/A
			SHEET:	N/A
		UNLESS OTHERWISE SPECIFIED: TOLERANCES IN (INCHES) OR [mm] (MILLIMETERS) FRACTIONS: ± 1/64 DECIMALS: ±.02 ±.008 ANGLE: ±1/2°	DRAWING TITLE: <b>HIGH POWER DUAL DIRECTIONAL COUPLER</b>	
		PROPRIETARY NOTICE: THE INFORMATION IN THIS DRAWING IS PROPRIETARY AND SHALL NOT BE USED OR DISCLOSED WITHOUT WRITTEN PERMISSION FROM MICROWAVE COMMUNICATIONS LABORATORIES INC. (MCLI)	PART NO.: <b>HDL-43-30</b>	
DRAWN: Paiboon Luekhamhan	DATE: 12-22-2010		CAGE CODE:	OD2L5
APPROVED: T. Nguyen	DATE: 12-22-2010		SIZE: N/A REV: N/A DO NOT SCALE THE DRAWING	DWG NO.: