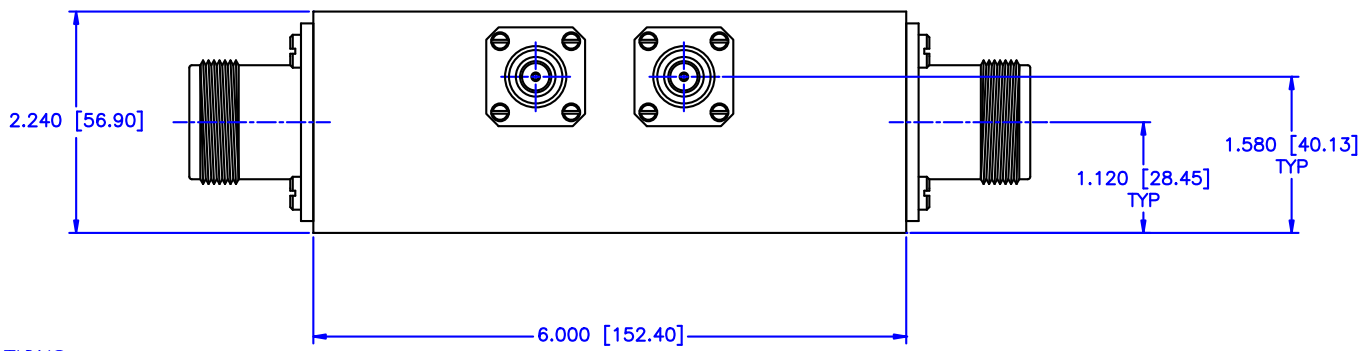
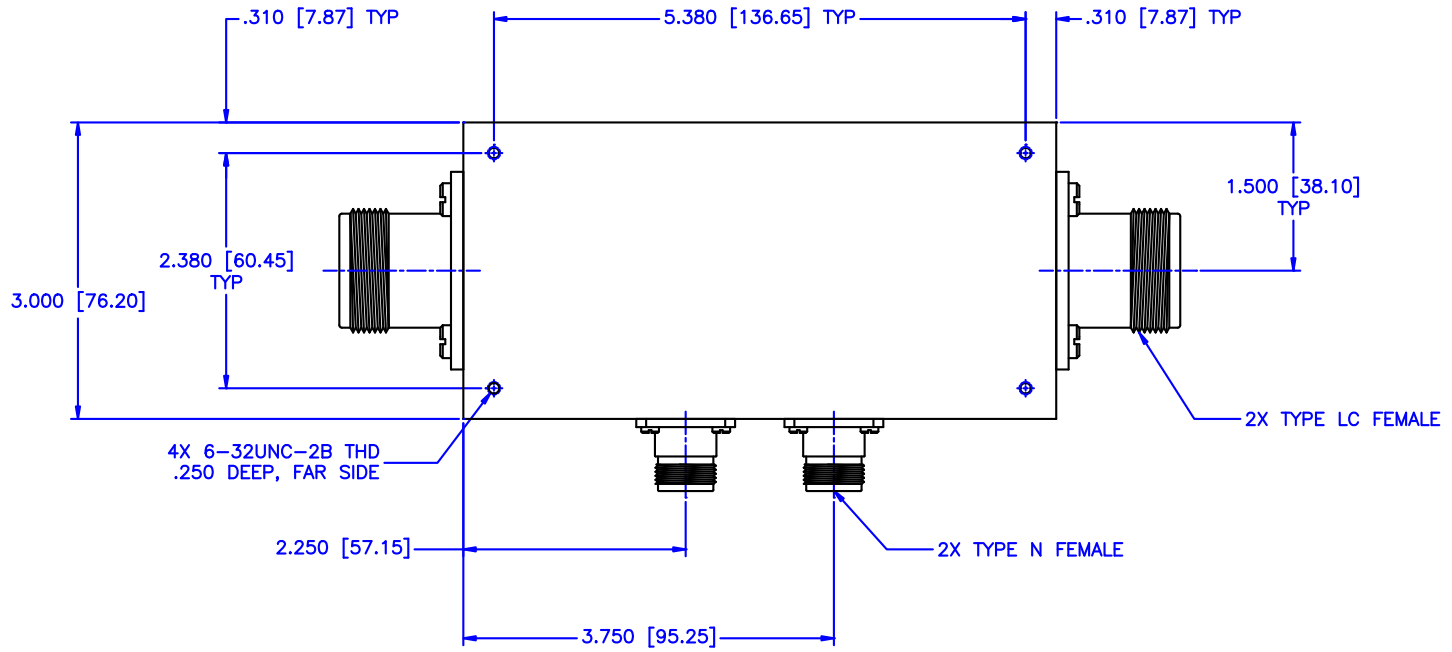


REVISIONS				
ZONE	REV	DESCRIPTION	DATE	APPROVED



**SPECIFICATIONS:**

- FREQUENCY RANGE: 10-50 MHz
- FLATNESS:  $\pm 0.5$ dB
- INSERTION LOSS: 0.10dB Max.
- DIRECTIVITY: 20dB Min.
- VSWR: 1.15:1 Max.
- POWER: 5kW CW

MATERIAL:	
DRAWN: Paiboon Luekhamhan	DATE: 01-06-2011
APPROVED: T. Nguyen	DATE: 01-06-2011

<b>MCLI</b>	MICROWAVE COMMUNICATIONS LABORATORIES INC. 7255 30TH AVE. N. SAINT PETERSBURG, FL 33710 TEL: (727) 344-6254 FAX: (727) 381-6116 http://WWW.MCLI.COM		SCALE: N/A
	UNLESS OTHERWISE SPECIFIED: TOLERANCES IN (INCHES) OR [mm] (MILLIMETERS) FRACTIONS: $\pm 1/64$ DECIMALS: $\pm .015$ ANGLE: $\pm 1/2^\circ$		SHEET: N/A
DRAWING TITLE: <b>HIGH POWER DUAL DIRECTIONAL COUPLER</b>		PART NO. HDL-46-50	
CAGE CODE: OD2L5		SIZE: C DO NOT SCALE THE DRAWING	REV: N/A DWG NO. 85214

D  
C  
B  
A

D  
C  
B  
A

4 3 2 1

4 3 2 1