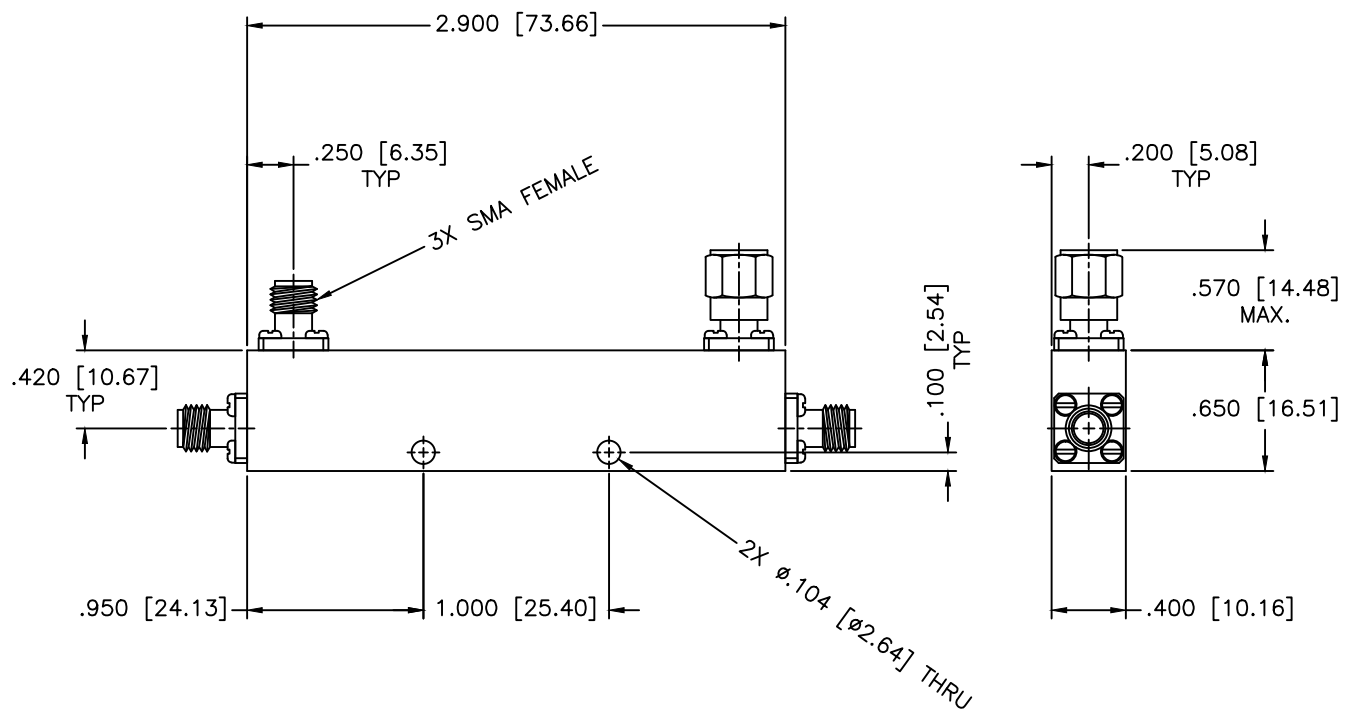


REVISIONS				
ZONE	REV	DESCRIPTION	DATE	APPROVED



SPECIFICATIONS

Frequency Range: 17–22 GHz
 Coupling: 10±1.0dB
 Frequency Sensitivity: ±.75dB
 Insertion Loss: 1.6dB Max.
 Directivity: 14dB Min.
 VSWR: 1.65:1 Max.
 Power Incident, Reflected: 20W, 5W, 3kW Peak
 Operating Temperature: -54°C to +85°C

MATERIAL:		MICROWAVE COMMUNICATIONS LABORATORIES INC. 7255 30TH AVE. N. SAINT PETERSBURG, FL 33710 TEL: (727) 344-6254 FAX: (727) 381-6116 http://WWW.MCLI.COM	SCALE:	N/A
UNLESS OTHERWISE SPECIFIED: TOLERANCES IN (INCHES) OR [mm] (MILLIMETERS) FRACTIONS: ± 1/64 DECIMALS: ±.01 ±.005 ANGLE: ±1/2°			DRAWING TITLE:	DIRECTIONAL COUPLER
DRAWN: Paiboon Luekhamhan		PART NO.:		C54-10
DATE: 08-05-2008	APPROVED: T. Nguyen	DATE: 08-05-2008	CAGE CODE: OD2L5	SIZE: A
PROPRIETARY NOTICE: THE INFORMATION IN THIS DRAWING IS PROPRIETARY AND SHALL NOT BE USED OR DISCLOSED WITHOUT WRITTEN PERMISSION FROM MICROWAVE COMMUNICATIONS LABORATORIES INC. (MCLI)		REV: B	DWG NO.:	83785
THIRD ANGLE PROJECTION		DO NOT SCALE THE DRAWING		