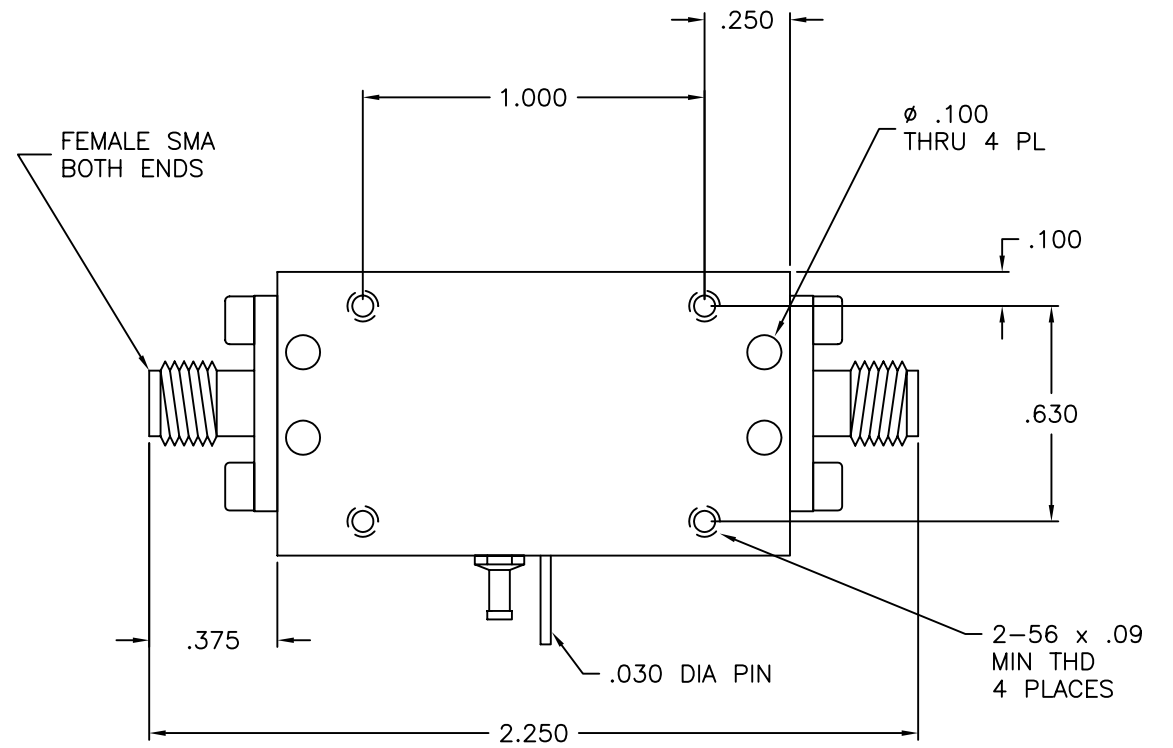
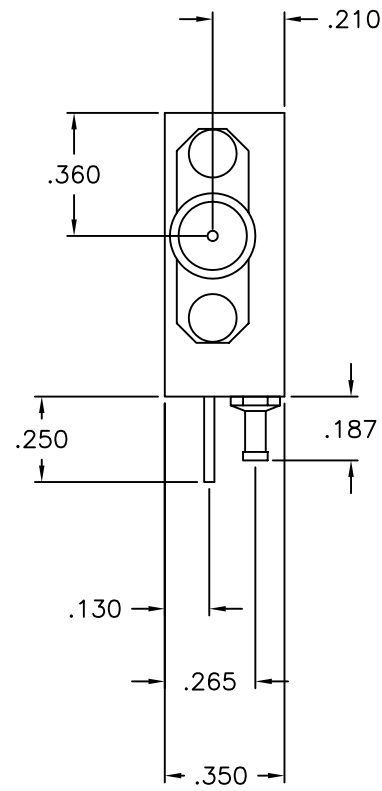
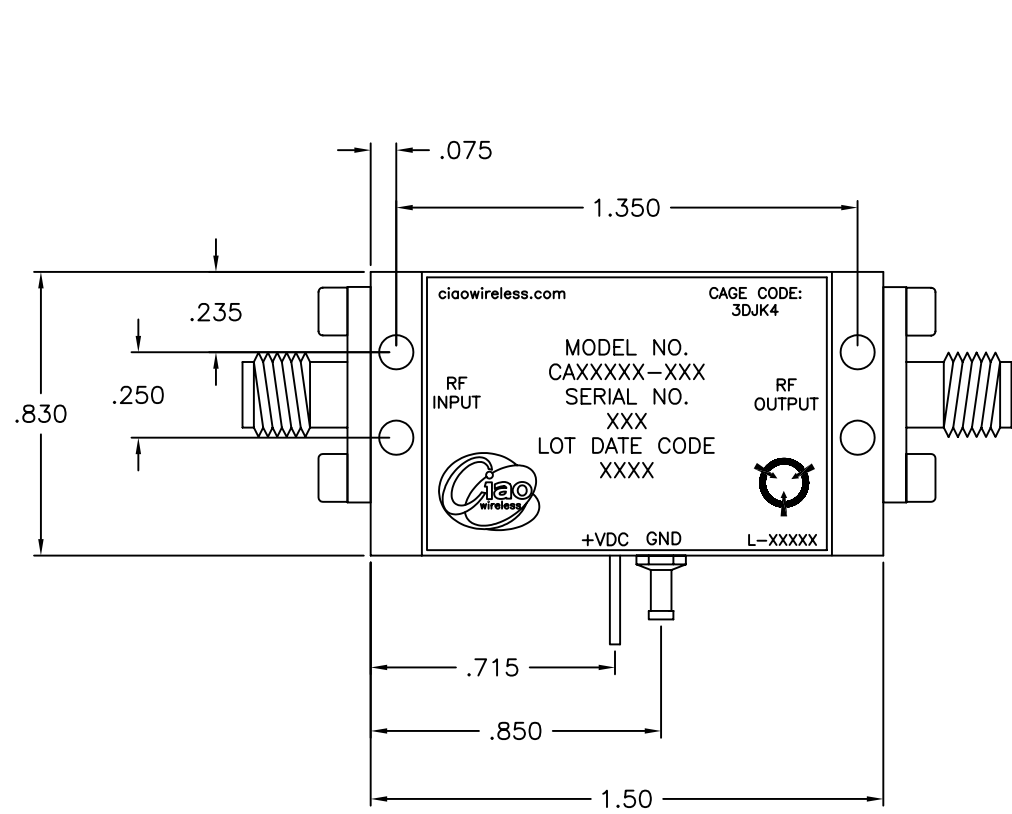


REVISIONS					
ZONE	REV	DESCRIPTION	ECO#	DATE	APPROVED
	A	RELEASED		4/7/04	J.H



ITEM NO.	QTY REQD	PART OR IDENTIFYING NO.	NOMENCLATURE OR DESCRIPTION	MATERIAL SPECIFICATION
PARTS LIST				
UNLESS OTHERWISE SPECIFIED: DIMENSIONS ARE IN INCHES. TOLERANCES ARE: FRACTIONS DECIMALS HOLES ANGLES ± 1/64 .XX ±.03 .XX ±.03 ± 0°30'			CONTRACT NO.	
MACHINED FINISH: 32 RMS REMOVE BURRS .005 MAX			APPROVALS DATE	
MATERIAL ALUMINUM 6061-T6			DRAWN S. BROWN 4/7/04	
FINISH ELECTROLESS NICKEL PER MIL-C-26074 CLASS 4 GRADE B .0005 ± .0001 MAX			CHECKED W. QUINONES 4/7/04 MECHANICAL ENGR	
NEXT ASSY			ELECTRICAL ENGR	
USED ON			PRODUCT ASSURANCE G. TUFT 4/7/04	
APPLICATION DO NOT SCALE DRAWING			PLANNING J. HARRISON 4/7/04	
			MANUFACTURING G. WASYLEWWSI 4/7/04	
			SIZE CAGE CODE DWG. NO. REV. B 3DJK4 30042 A	
			SCALE 1/1 SHEET 1 OF 1	



CIAO WIRELESS
4000 VIA PESCADOR
CAMARILLO CA, 93012

Q4 ICD AMPLIFIER

DWG NO. 30042

REV A