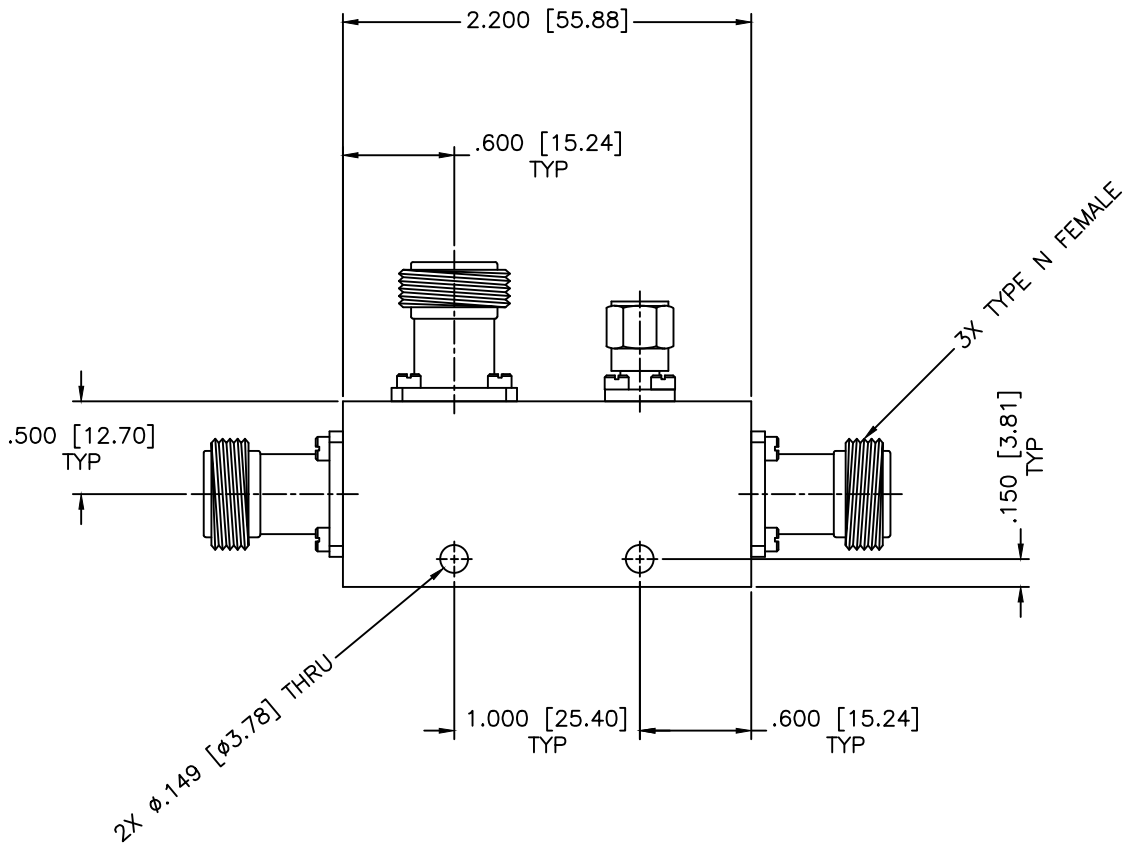
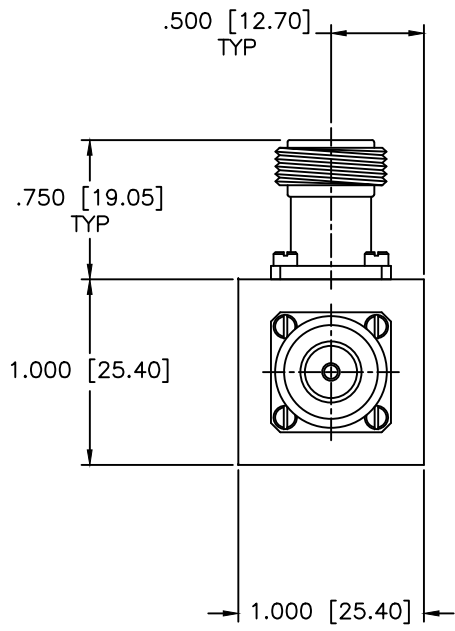


REVISIONS				
ZONE	REV	DESCRIPTION	DATE	APPROVED



**SPECIFICATIONS**

Frequency Range: 5.7–10.2 GHz  
 Coupling: 6±1.5dB  
 Frequency Sensitivity: ±0.85dB  
 Insertion Loss: 2.2dB Max.  
 Directivity: 13dB Min.  
 VSWR: 1.50:1 Max.  
 Power Incident, Reflected: 50W, 2W, 3kW Peak

MATERIAL:			MICROWAVE COMMUNICATIONS LABORATORIES INC. 7255 30TH AVE. N. SAINT PETERSBURG, FL 33710 TEL: (727) 344-6254 FAX: (727) 381-6116 http://WWW.MCLI.COM		SCALE:	N/A
			UNLESS OTHERWISE SPECIFIED: TOLERANCES IN (INCHES) OR [mm] (MILLIMETERS) FRACTIONS: ± 1/64 DECIMALS: ±.01 ±.005 ANGLE: ±1/2°		SHEET:	N/A
DRAWN:		PROPRIETARY NOTICE: THE INFORMATION IN THIS DRAWING IS PROPRIETARY AND SHALL NOT BE USED OR DISCLOSED WITHOUT WRITTEN PERMISSION FROM MICROWAVE COMMUNICATIONS LABORATORIES INC. (MCLI)		DRAWING TITLE:		
DATE:		THIRD ANGLE PROJECTION		DIRECTIONAL COUPLER		
APPROVED:		CAGE CODE:		PART NO.		
T. Nguyen		OD2L5		C17-6/NF		
DATE:		SIZE:		REV:		
11-13-1997		A		N/A		
		DO NOT SCALE THE DRAWING		DWG NO.		
				80446		