

## Surface Mount Circulators

Part Number: KTSC-200A

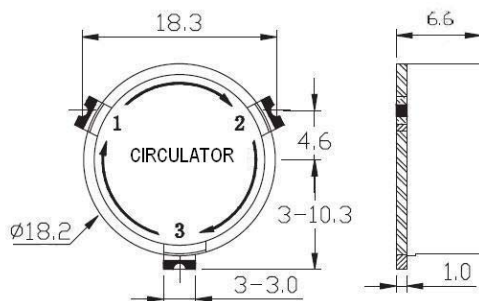
### Main Features:

- Frequency Range: 1.35-1.517GHz, 1.90-1.99GHz, 2.11-2.17GHz, 2.3-2.5GHz
- High Power Handling, Low Insertion Loss, Small Size
- PCB Soldering Re-flow
- Wide Temperature Range: -10°C ~+70°C
- RFID and PCS, DCS, CDMA, UMTS Band Design

### Electrical Specifications at Room Temperature:

Part Number	Freq. Range (GHz)	Bandwidth Max. (MHz)	Insertion Loss Max. (dB)	Isolation Min. (dB)	VSWR Max.	Forward Power (W)	Round Size Dia.(mm)
KTSC-200A	1.35 - 1.517	full	0.3	23	1.20	60	Φ18.2
KTSC-200A	1.90 - 1.99	full	0.3	23	1.20	60	Φ18.2
KTSC-200A	2.11 - 2.17	full	0.3	23	1.20	60	Φ18.2
KTSC-200A	2.30 - 2.50	full	0.3	23	1.20	60	Φ18.2

### Mechanical Dimensions (mm):



### HOW TO ORDER

