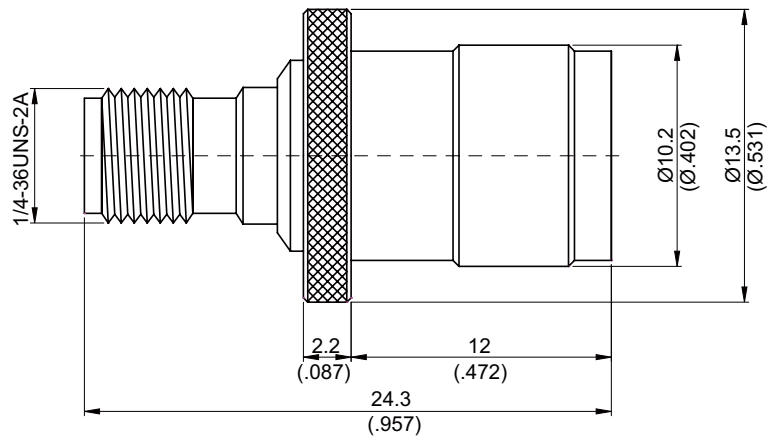


AD-A8TQ9

SMA Jack To Snap Reverse Polarity TNC Jack 50Ω



Typical VSWR

Part Number	1Ghz	2Ghz	3Ghz
AD-A8TQ9	1.05	1.13	1.26

Note: Reverse polarity TNC SNAP ON jack without locking mechanism

Parts	Material	Plating (Micro-inch)
Contact Pin	Phosphor Bronze	Gold 10 Over Nickel 50 Over Copper 50
Insulator	Teflon	
Body(TNC)	Brass	Tin-Zinc-Copper-Alloy 100 Over Copper 50
Body(SMA)	Brass	Gold 5 Over Nickel 50 Over Copper 50

Weight: 7.04 g

This part number complies with RoHS.

Notice: JYEBAO reserves the right to make modifications deemed appropriate.