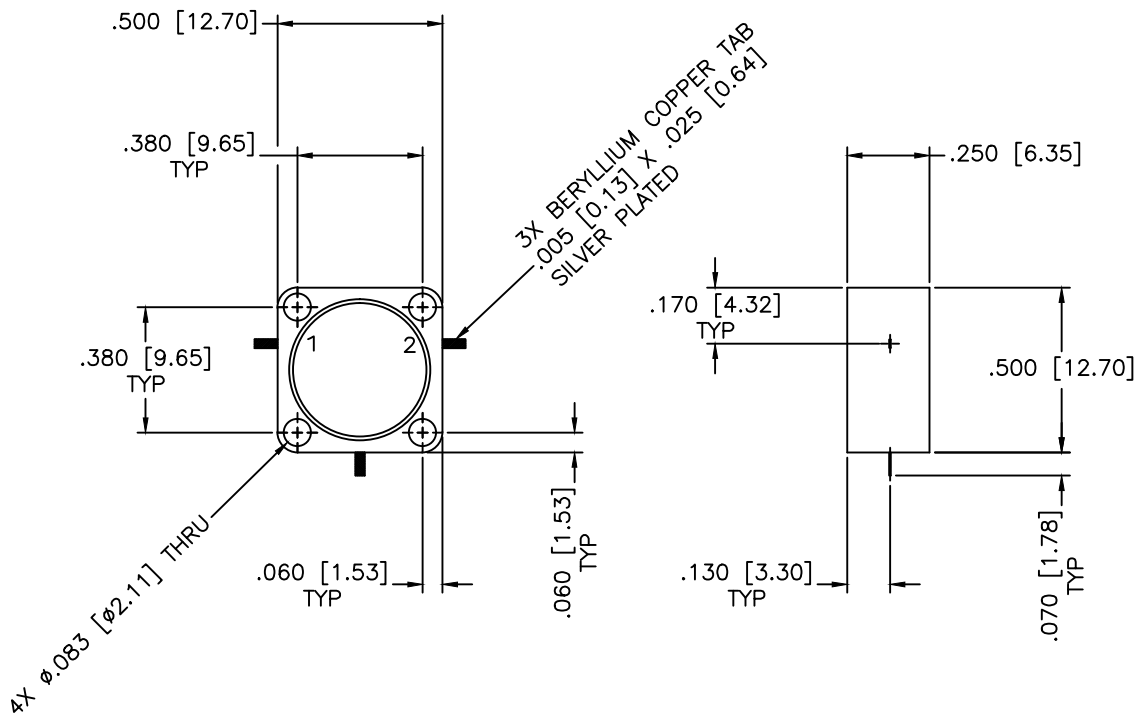


REVISIONS				
ZONE	REV	DESCRIPTION	DATE	APPROVED



SPECIFICATIONS

Frequency Range: 3.9–4.4 GHz
 Isolation: 15dB Min.
 Insertion loss: 0.6dB Max.
 VSWR: 1.33:1 Max.
 Operating Temperature: –30°C to +70°C
 Power: 20W Avg. 50W Peak.

MATERIAL:			MICROWAVE COMMUNICATIONS LABORATORIES INC. 7255 30TH AVE. N. SAINT PETERSBURG, FL 33710 TEL: (727) 344-6254 FAX: (727) 381-6116 http://WWW.MCLI.COM		SCALE:	N/A
			UNLESS OTHERWISE SPECIFIED: TOLERANCES IN (INCHES) OR [mm] (MILLIMETERS) FRACTIONS: \pm 1/64 DECIMALS: \pm .01 \pm .005 ANGLE: \pm 1/2°	DRAWING TITLE:		SHEET:
DRAWN:		PART NO.		DROP-IN CIRCULATOR MC-103		
APPROVED:		CAGE CODE:		SIZE:	REV:	DWG NO.
Paiboon Luekhamhan T. Nguyen		DATE: 03-12-2012 03-12-2012		N/A DO NOT SCALE THE DRAWING	N/A	86014
		PROPRIETARY NOTICE: THE INFORMATION IN THIS DRAWING IS PROPRIETARY AND SHALL NOT BE USED OR DISCLOSED WITHOUT WRITTEN PERMISSION FROM MICROWAVE COMMUNICATIONS LABORATORIES INC. (MCLI)		THIRD ANGLE PROJECTION 		