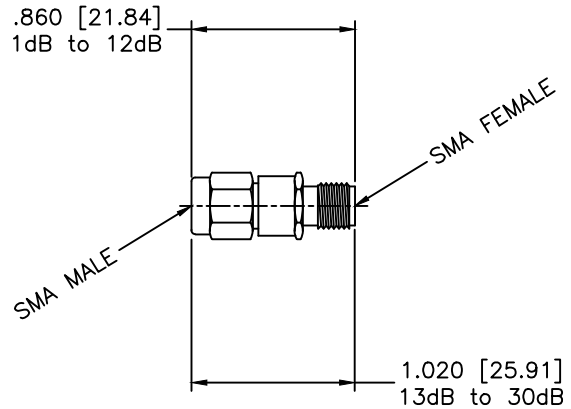


REVISIONS				
ZONE	REV	DESCRIPTION	DATE	APPROVED



SPECIFICATIONS

Frequency Range: DC-26.5 GHz
 Standard dB Values: 00-12dB, 15dB, 20dB & 30dB
 Attenuation Accuracy:
 1dB-10dB: ±0.5dB
 11dB-20dB: ±1dB
 21dB-30dB: ±1.5dB
 VSWR:
 DC-18 GHz: 1.35:1 Max.
 18-26.5 GHz: 1.50:1 Max.
 Input Power:
 Average Power: 2Watts @ 25°C
 Peak Power: 500Watts Max.
 Operating Temperature: -55°C to +125°C
 Impedance: 50 Ohms

MATERIAL:		MICROWAVE COMMUNICATIONS LABORATORIES INC. 7255 30TH AVE. N. SAINT PETERSBURG, FL 33710 TEL: (727) 344-6254 FAX: (727) 381-6116 http://WWW.MCLI.COM	SCALE:	N/A
			SHEET:	N/A
		UNLESS OTHERWISE SPECIFIED: TOLERANCES IN (INCHES) OR [mm] (MILLIMETERS) FRACTIONS: ± 1/64 DECIMALS: ±.01 ±.005 ANGLE: ±1/2°	DRAWING TITLE: COAXIAL ATTENUATOR	
DRAWN: Paiboon Luekhamhan		DATE: 06-06-2009	PART NO. FAS-12-X	
APPROVED: T. Nguyen		DATE: 06-06-2009	CAGE CODE: 0D2L5	SIZE: A REV: N/A DWG NO.: 84573 DO NOT SCALE THE DRAWING

PROPRIETARY NOTICE:
 THE INFORMATION IN THIS DRAWING IS PROPRIETARY
 AND SHALL NOT BE USED OR DISCLOSED WITHOUT WRITTEN
 PERMISSION FROM MICROWAVE COMMUNICATIONS
 LABORATORIES INC. (MCLI)

THIRD ANGLE PROJECTION