

**SMA 单刀多掷开关 (常开型)**

**SP3T-6T DC-18GHZ**

RF 性能指标

Frequency Range	DC-3GHZ	3-6GHZ	6-12GHZ	12-18GHZ
VSWR	<1.20	<1.30	<1.40	<1.50
Insertion Loss	<0.2dB	<0.3dB	<0.4dB	<0.5dB
Isolation	>80dB	>70dB	>65dB	>60dB
Power Handling(CW)	100W	80W	50W	40W

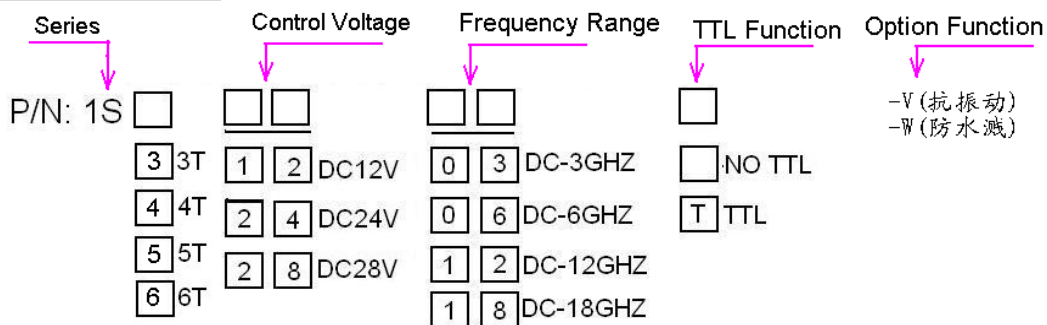


. RF Impedance:

50 ohm

- . Operating Voltage: DC12V/270mA (OptionDC5V,DC15V,:DC24V/160mA,DC28V/150mA)
- . Switching Time: <15ms
- . Life:>1000000cycles
- . Switching Sequence:Break Before Make
- . Operating Temperature: -30 ~ +65°C
- . RF Interface: SMA female

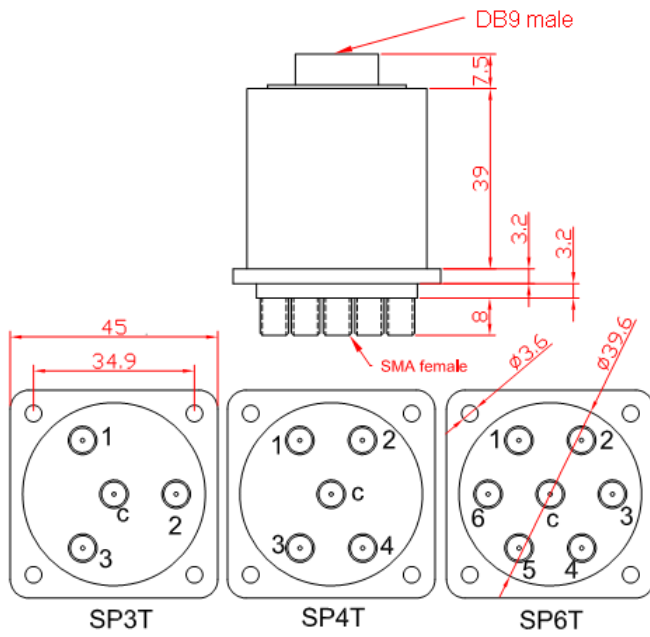
产品编号定义 :



产品编号举例 : **1S41206T** (单刀 4 掷 常开型/DC12V/DC-6GHZ/SMA female/带 TTL 控制)

外形尺寸图 :

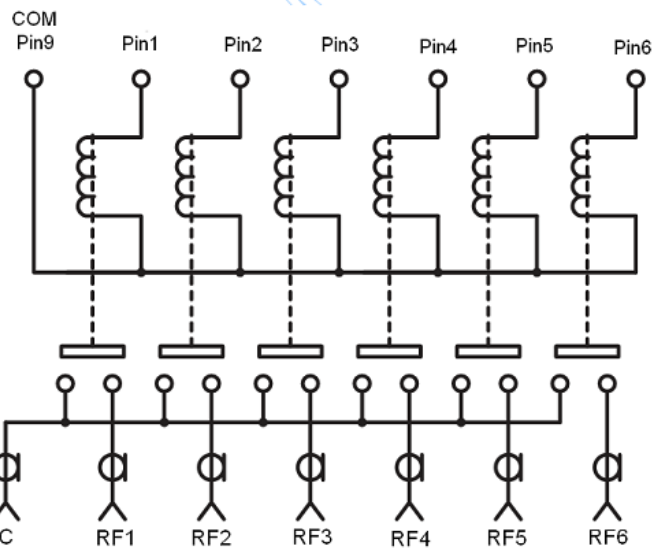




原理图

电压控制型：

SP3T-6T Schematic Shown in Normally Open



带 TTL 控制功能

SP3T-6T Schematic Shown in Normally Open With TTL Control

