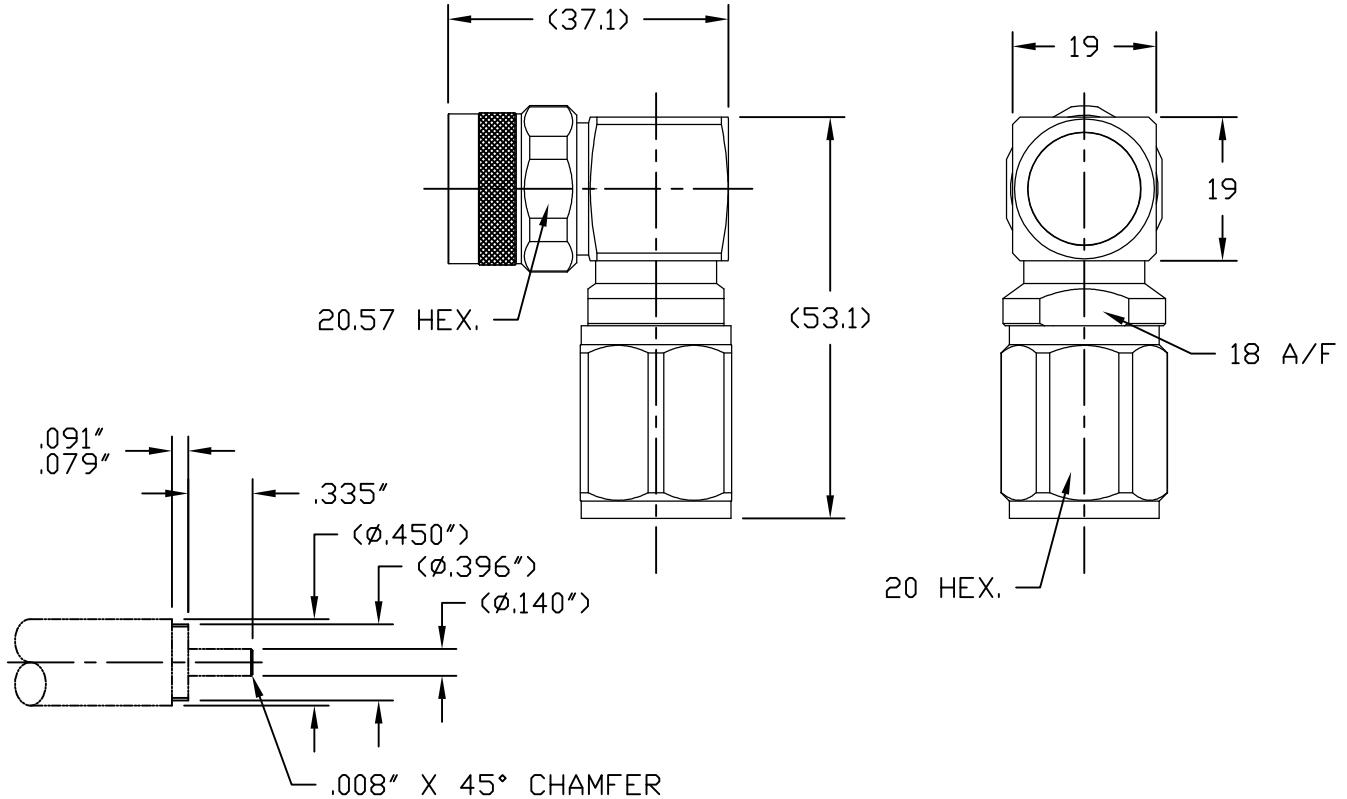


NOTICE OF PROPRIETARY RIGHTS THIS DOCUMENT CONTAINS CONFIDENTIAL TECHNICAL DATA, INCLUDING TRADE SECRETS, PROPRIETARY TO TIMES MICROWAVE SYSTEMS. DISCLOSURE OF THIS DATA IS EXPRESSLY CONDITIONED UPON YOUR ASSENT THAT ITS USE IS LIMITED TO USE WITHIN YOUR COMPANY ONLY. ANY OTHER USE IS STRICTLY PROHIBITED WITHOUT THE PRIOR WRITTEN CONSENT OF TIMES MICROWAVE SYSTEMS.

SYM	REVISION DESCRIPTION	DFTM	DATE	APPD	DATE
A	RELEASED FOR PRODUCTION	D. J. H.	1/3/12	J. D. B.	1/4/12



CABLE PREP. (TOOLS NOT INCLUDED)
 STRIP TOOL: ST-396-J (3192-092)
 FLARING TOOL: FT-396 (3192-088)

Reference standard IEC60169-16

I. Electric Performance

Nominal Impedance(Ω):	50
Frequency Range:	DC-6GHz
VSWR:	≤ 1.3
INSERT LOSS:	≤ 0.1
PIM(dBc)	≤ -160
Insulation resistance(M Ω)	≥ 5000
Proof voltage(V)	2500
Conductor resistance(m Ω)	outer conductor <0.4 inner conductor <0.8

II. Mechanical Performance

Nut torque	5N.m
(Nut)Whorl pull	500N
Tensile force(cable-connector)	300N
Torsion(cable-connector)	3N.m

III. Material and plating :

Inner conductor	Brass/Spring copper	Plating	Au 1.3um
Outer conductor	Brass	Plating	Copper-tin-zinc 2um
Nut	Brass	Plating	Copper-tin-zinc 2um
Gasket	Silicone rubber		
Insulator	PTFE		

IV. Environment

Temp.range	-55 $^{\circ}$ C~+155 $^{\circ}$ C
Weather standard	IEC 60068 55 / 155/ 56
Thermal shock	US MIL-STD 202,Meth.107,Cond.B
Vibration	US MIL-STD 202,Meth.204,Cond.B
Shock	US MIL-STD 202,Meth.213,Cond.I

V. Assembly: inner and outer conductor installed

VI. ROHS Compliant.

MATERIAL:	UNLESS OTHERWISE SPECIFIED ALL DIMENSIONS ARE IN mm MACHINED SURFACES FINISH N/A RMS MAX. REMOVE ALL BURRS N/A MAX. BREAK MACHINE CORNERS N/A MAX. FILLET R. TOLERANCES ON DECIMALS . XX \pm N/A . XXX \pm N/A ANGLES \pm 1 $^{\circ}$ FRACTIONS \pm N/A	DFTM. D. J. H.	TIMES MICROWAVE SYSTEMS
		DATE 1/3/12	
USED ON: 0		CHKD. J. D. B.	EZ-SW396-NMC-RA 90 $^{\circ}$ "N" MALE FOR LMR-SW396 CABLE
		DATE 1/4/12	
SCALE: N/A	DWG. SIZE A	APPD. J. D. B.	
DO NOT SCALE DRAWING	CODE IDENT 68999	DATE 1/4/12	1 of 1 SD3190-2709 A