



SMA Female to Mini SMP Male Adapter Full Detent

TECHNICAL DATA SHEET

PE91129

Configuration

Connector 1	SMA Female
Impedance 1	50 Ohms
Connector Specification 1	MIL-STD-348
Connector 2	Mini SMP Male
Impedance 2	50 Ohms
Adapter Design	Standard
Body Style	Straight

Electrical Specifications

Frequency Range	DC to 26.5 GHz
Maximum VSWR	1.2:1

Mechanical Specifications

Size

Length, in [mm]	0.797 [20.24]
Width/Dia., in [mm]	0.312 [7.92]
Weight, lbs [g]	0.00572 [2.59]

Connector 1

Type	SMA Female
Inner Conductor Material and Plating	Beryllium Copper, Gold
Inner Conductor Plating Specification	MIL-G-45204, Type 1, Grade C, Class 1
Outer Conductor Material and Plating	Passivated Stainless Steel
Outer Conductor Plating Specification	AMS-QQ-P-35
Body Material and Plating	Passivated Stainless Steel
Body Plating Specification	AMS-QQ-P-35
Dielectric Type	PTFE

Connector 2

Type	Mini SMP Male
Inner Conductor Material and Plating	Beryllium Copper, Gold
Inner Conductor Plating Specification	MIL-G-45204, Type 1, Grade C, Class 1
Outer Conductor Material and Plating	Passivated Stainless Steel
Outer Conductor Plating Specification	AMS-QQ-P-35
Body Material and Plating	Passivated Stainless Steel
Body Plating Specification	AMS-QQ-P-35
Dielectric Type	PTFE

Environmental Specifications

Temperature

Operating Range	-55 to +125 deg C
-----------------	-------------------

Compliance Certifications (visit www.Pasternack.com for current document)

RoHS Compliant

Click the following link (or enter part number in "SEARCH" on website) to obtain additional part information including price, inventory and certifications: [SMA Female to Mini SMP Male Adapter Full Detent PE91129](#)





SMA Female to Mini SMP Male Adapter Full Detent

TECHNICAL DATA SHEET

PE91129

Plotted and Other Data

Notes:

- Values at +25 °C, sea level

SMA Female to Mini SMP Male Adapter Full Detent from Pasternack Enterprises has same day shipment for domestic and International orders. Our RF, microwave and millimeter wave products maintain a 99% availability and are part of the broadest selection in the industry.

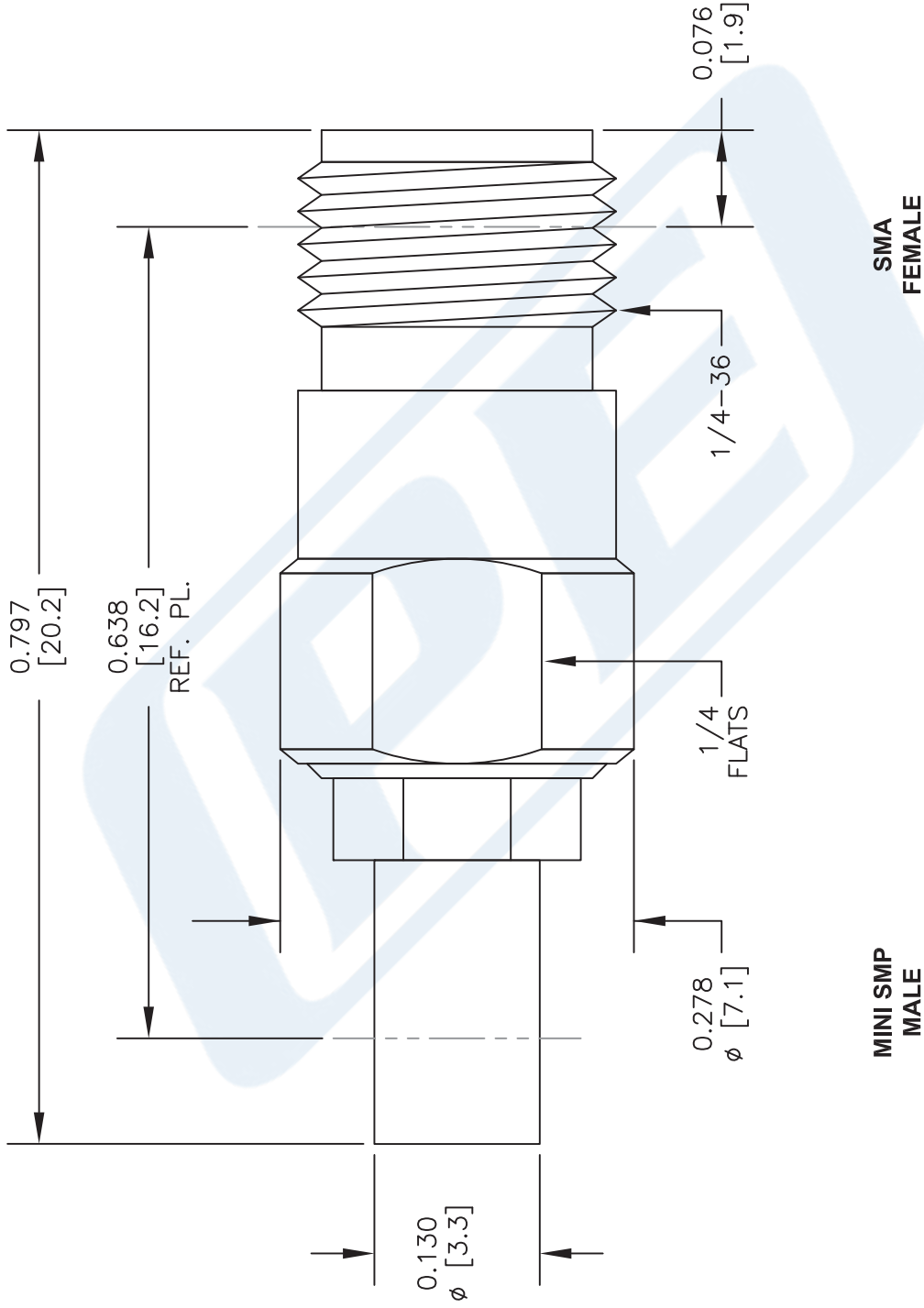
Click the following link (or enter part number in "SEARCH" on website) to obtain additional part information including price, inventory and certifications: [SMA Female to Mini SMP Male Adapter Full Detent PE91129](#)

URL: <http://www.pasternack.com/sma-female-mini-smp-male-straight-adapter-pe91129-p.aspx>

The information contained in this document is accurate to the best of our knowledge and representative of the part described herein. It may be necessary to make modifications to the part and/or the documentation of the part, in order to implement improvements. Pasternack reserves the right to make such changes as required. Unless otherwise stated, all specifications are nominal. Pasternack does not make any representation or warranty regarding the suitability of the part described herein for any particular purpose, and Pasternack does not assume any liability arising out of the use of any part or documentation.

PE91129 CAD Drawing

SMA Female to Mini SMP Male Adapter Full Detent



NOTES:
 1. UNLESS OTHERWISE SPECIFIED ALL DIMENSIONS ARE NOMINAL.
 2. ALL SPECIFICATIONS ARE SUBJECT TO CHANGE WITHOUT NOTICE AT ANY TIME.
 3. DIMENSIONS ARE IN INCHES [mm].

DWG TITLE
PE91129

FSCM NO. **53919**

CAD FILE 102813 SCALE N/A SIZE A 2233

PE PASTERNAK®
 Pasternack Enterprises, Inc.
 P.O. Box 16759 | Irvine | CA | 92623
 Phone: (949) 261-1920 | Fax: (949) 261-7451
 Website: www.pasternack.com | E-Mail: sales@pasternack.com