



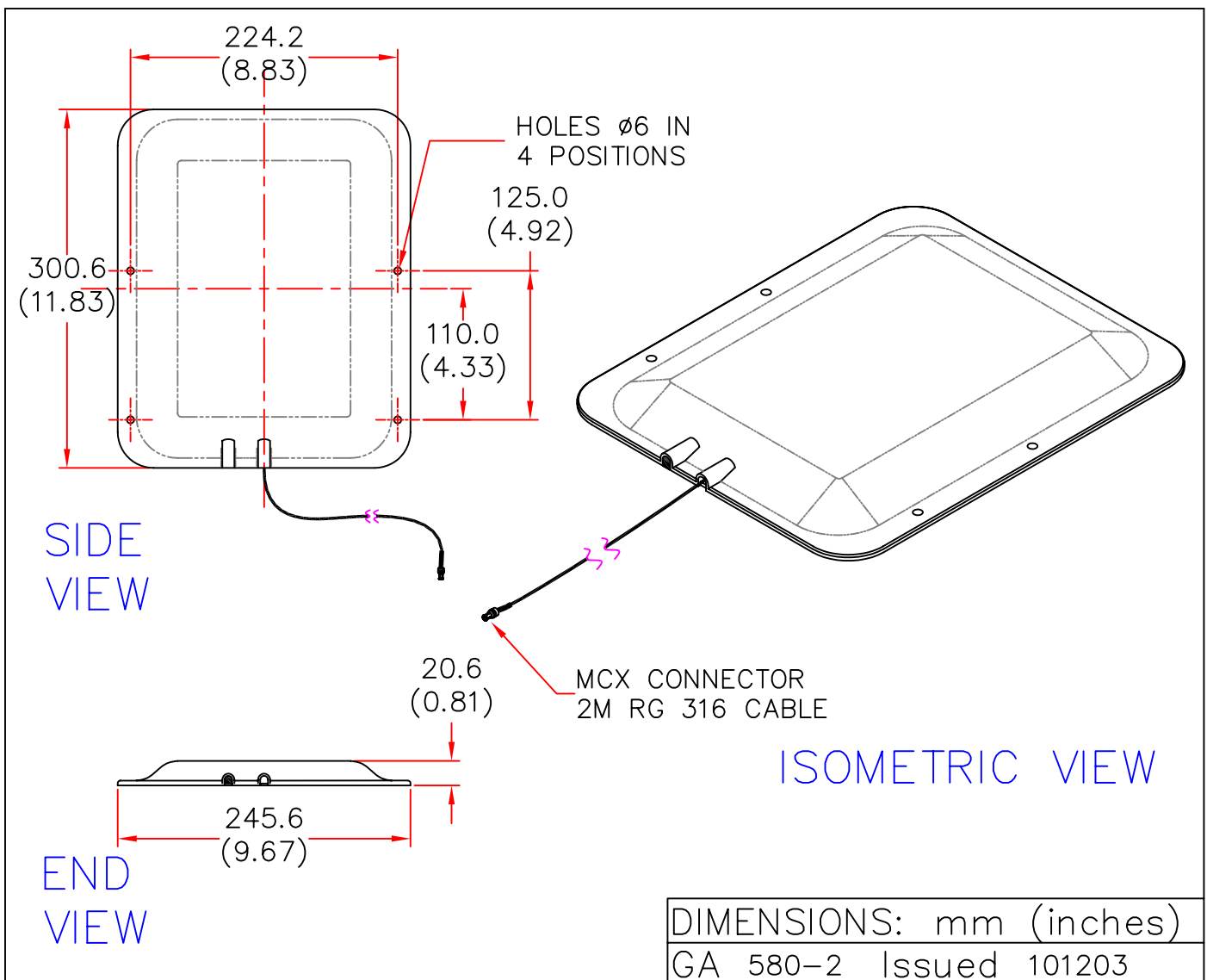
EUROPEAN ANTENNAS



LOW PROFILE ANTENNA

MODEL: LPA7-900V-702/580

FREQUENCY: 880 - 960 MHz	GAIN: 7 dBi
POLARISATION: Linear (Vertical)	BEAMWIDTH: 70° x 55°
CROSS POLAR: 15 dB (Typical)	VSWR: 2:1 Max
POWER RATING: 10W	FRONT TO BACK: 20 dB
TEMPERATURE: -20°C to +50°C	MASS: 0.56Kg / 1.23lbs
RADOME: White Injection Moulded Polymer	WIND LOADING: 10.9 Kg / 24 lbs @ 100 mph



EUROPEAN ANTENNAS LTD.

TEL: +44 (0)1638 731888

LAMBDA HOUSE, CHEVELEY,
NEWMARKET, SUFFOLK, CB8 9RG,
UNITED KINGDOM.

FAX: +44 (0)1638 731999

European Antennas Ltd. has a policy of continuous development and therefore stress that the data contained on this sheet should be used for guidance only.