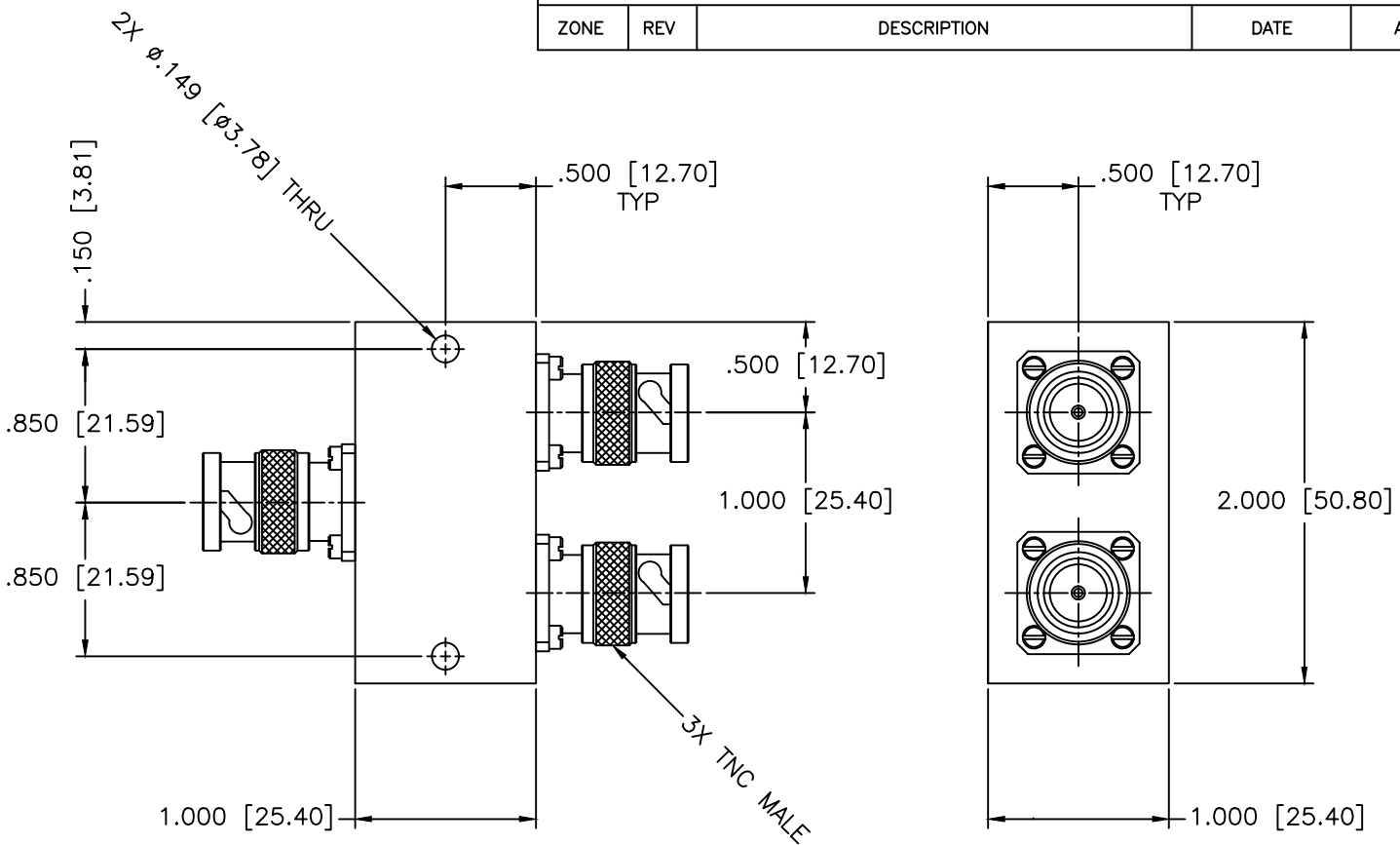


REVISIONS				
ZONE	REV	DESCRIPTION	DATE	APPROVED



**SPECIFICATIONS**

Frequency Range: 4–8 GHz  
 Insertion Loss: 0.6dB Max.  
 Isolation: 18dB Min.  
 VSWR In/Out: 1.45:1/1.35:1 Max.  
 Amplitude Balance: ±0.2dB Max.  
 Phase Balance: ±4 Deg. Max.  
 Power Rating: 30 Watts

MATERIAL:			MICROWAVE COMMUNICATIONS LABORATORIES INC. 7255 30TH AVE. N. SAINT PETERSBURG, FL 33710 TEL: (727) 344-6254 FAX: (727) 381-6116 http://WWW.MCLI.COM		SCALE: N/A
UNLESS OTHERWISE SPECIFIED: TOLERANCES IN (INCHES) OR [mm] (MILLIMETERS) FRACTIONS: ± 1/64 DECIMALS: ±.01 ±.005 ANGLE: ±1/2°			DRAWING TITLE: <b>2-WAY POWER DIVIDER</b>		
PROPRIETARY NOTICE: THE INFORMATION IN THIS DRAWING IS PROPRIETARY AND SHALL NOT BE USED OR DISCLOSED WITHOUT WRITTEN PERMISSION FROM MICROWAVE COMMUNICATIONS LABORATORIES INC. (MCLI)		PART NO. <b>PS2-6/TNM</b>			
DRAWN: Pai boon Luekhamhan	DATE: 10-28-2008	CAGE CODE: OD2L5	SIZE: A	REV: N/A	DWG NO. 83972
APPROVED: T. Nguyen	DATE: 10-28-2008	DO NOT SCALE THE DRAWING			