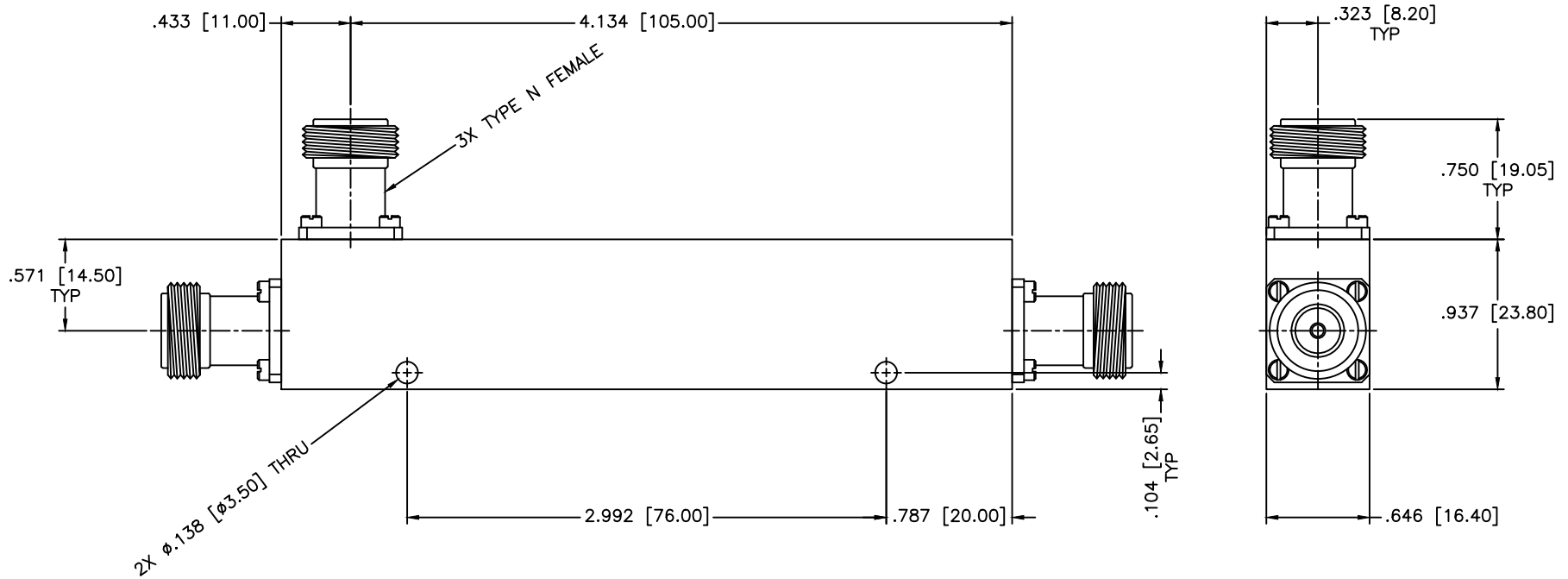


REVISIONS				
ZONE	REV	DESCRIPTION	DATE	APPROVED



SPECIFICATIONS

Frequency Range: 800–2500 MHz
 Coupling: 6±1.5dB
 Insertion Loss: 2.3dB Max.
 Power Rating: 50W
 VSWR: 1.25:1 Max.
 Operating Temperature: -35°C to +55°C

MATERIAL:	
DRAWN: Paiboon Luekhamhan	DATE: 07-19-2006
APPROVED: T. Nguyen	DATE: 07-19-2006

	MICROWAVE COMMUNICATIONS LABORATORIES INC. 7255 30TH AVE. N. SAINT PETERSBURG, FL 33710 TEL: (727) 344-6254 FAX: (727) 381-6116 http://WWW.MCLI.COM		SCALE: N/A
	UNLESS OTHERWISE SPECIFIED: TOLERANCES IN (INCHES) OR [mm] (MILLIMETERS) FRACTIONS: ± 1/64 DECIMALS: ±.01 ±.005 ANGLE: ±1/2°		SHEET: N/A
PROPRIETARY NOTICE: THE INFORMATION IN THIS DRAWING IS PROPRIETARY AND SHALL NOT BE USED OR DISCLOSED WITHOUT WRITTEN PERMISSION FROM MICROWAVE COMMUNICATIONS LABORATORIES INC. (MCLI)		DRAWING TITLE: DIRECTIONAL COUPLER	
PART NO. CB59-6/NF		CAGE CODE: OD2L5	DWG NO. 82596
THIRD ANGLE PROJECTION 		SIZE: A REV: N/A DO NOT SCALE THE DRAWING	