



75 Ohm SMC Plug Bulkhead Connector Solder Attachment Solder Cup Terminal, .295 inch D Hole

TECHNICAL DATA SHEET

PE4291

75 Ohm SMC Plug Bulkhead Connector Solder Attachment Solder Cup Terminal, .295 inch D Hole

Configuration

Connector	SMC Plug
Connector Interface Type	Solder Cup
Cable Attachment Method (Shield/Contact)	Solder
Body Style	Straight
Mount Method	Bulkhead

Electrical Specifications

Impedance, Ohms	75
-----------------	----

Mechanical Specifications

Size

Length, in [mm]	0.719 [18.26]
Width/Dia., in [mm]	0.375 [9.53]
Weight, lbs [g]	0.013 [5.9]

Connector

Type	SMC Plug
Contact Material and Plating	Gold
Body Material and Plating	Brass, Nickel
Dielectric Type	Teflon

Compliance Certifications (visit www.Pasternack.com for current document)

RoHS Compliant	Yes
----------------	-----

Plotted and Other Data

Notes:	Values at 25 °C, sea level
--------	----------------------------

75 Ohm SMC Plug Bulkhead Connector Solder Attachment Solder Cup Terminal, .295 inch D Hole from Pasternack Enterprises has same day shipment for domestic and International orders. Our RF, microwave and fiber optic products maintain a 99% availability and are part of the broadest selection in the industry.

Click the following link (or enter part number in "SEARCH" on website) to obtain additional part information including price, inventory and certifications: [75 Ohm SMC Plug Bulkhead Connector Solder Attachment Solder Cup Terminal, .295 inch D Hole PE4291](http://www.pasternack.com/smc-plug-standard-solder-cup-terminal-connector-pe4291-p.aspx)

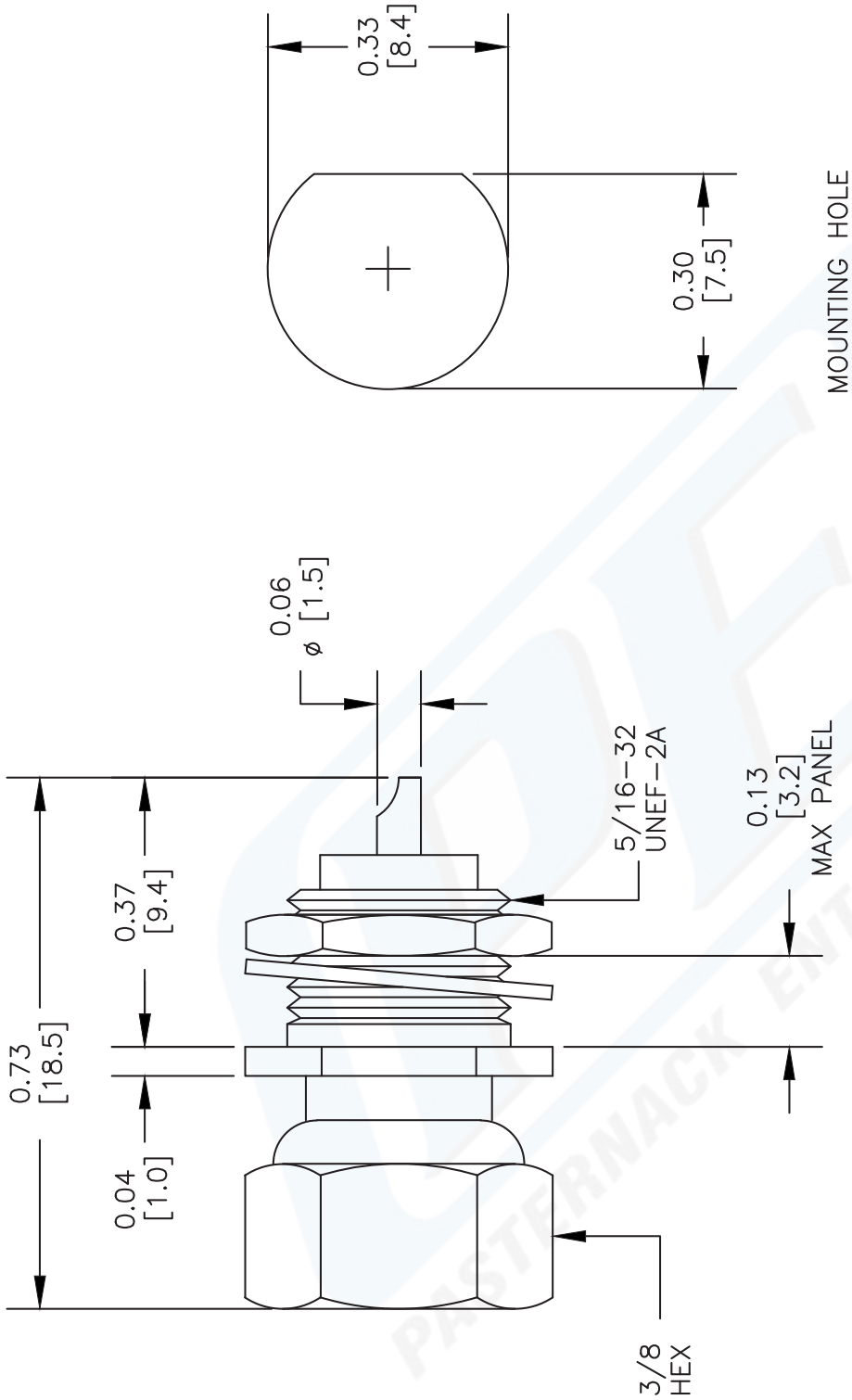
URL: <http://www.pasternack.com/smc-plug-standard-solder-cup-terminal-connector-pe4291-p.aspx>

The information contained in this document is accurate to the best of our knowledge and representative of the part described herein. It may be necessary to make modifications to the part and/or the documentation of the part, in order to implement improvements. Pasternack reserves the right to make such changes as required. Unless otherwise stated, all specifications are nominal.



PE4291 CAD Drawing

75 Ohm SMC Plug Bulkhead Connector Solder Attachment
Solder Cup Terminal, .295 inch D Hole



DWG TITLE

PE4291

- NOTES:
1. UNLESS OTHERWISE SPECIFIED ALL DIMENSIONS ARE NOMINAL.
 2. ALL SPECIFICATIONS ARE SUBJECT TO CHANGE WITHOUT NOTICE AT ANY TIME.
 3. DIMENSIONS ARE IN INCHES [mm].
 4. FITS MIL-C-17 AND EQUIVALENT CABLES.

REV. -

FSCM NO. 53919

CAD FILE 110703

SCALE N/A

SIZE A

2233



Pasternack Enterprises, Inc.
P.O. Box 16759 | Irvine | CA | 92623
Phone: (949) 261-1920 | Fax: (949) 261-7451
Website: www.pasternack.com | E-Mail: sales@pasternack.com