

# ATTENUATORS SMA - W/MOUNTING HOLES

UP TO **18 GHz**  
**20 WATTS**



MODELS: 2099-XX

## SPECIFICATIONS:

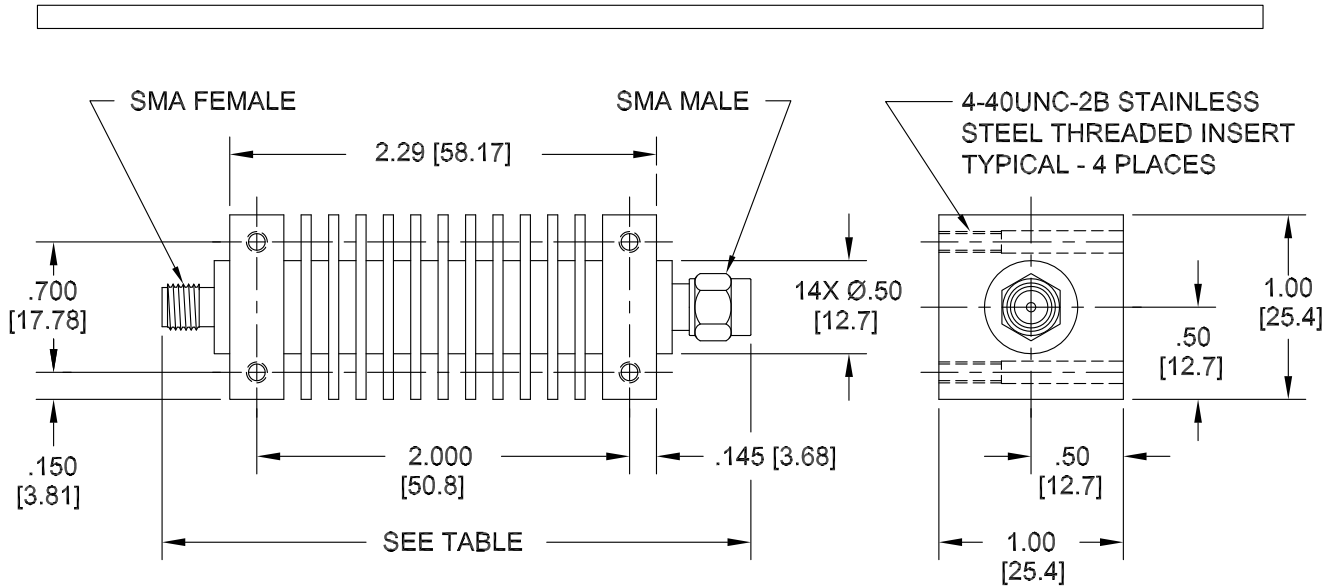
### Electrical:

Frequency Range \_\_\_\_\_ DC - 18 GHz  
 Standard Freq. Values \_\_\_\_\_ 12.4 and 18 GHz  
 Standard dB Values\* \_\_\_\_\_ 0, 3, 6, 10, 20, 30 & 40 dB  
 Attenuation Accuracy DC - 12.4 GHz 12.4 - 18 GHz  
 3 & 6 dB \_\_\_\_\_ ±0.5 dB \_\_\_\_\_ ±0.75 dB  
 10 & 20 dB \_\_\_\_\_ ±0.75 dB \_\_\_\_\_ ±1.00 dB  
 30 & 40 dB \_\_\_\_\_ ±1.00 dB \_\_\_\_\_ ±1.50 dB  
 VSWR  
 DC - 12.4 GHz \_\_\_\_\_ 1.30:1 Max.  
 12.4 - 18 GHz \_\_\_\_\_ 1.40:1 Max.  
 Input Power \_\_\_\_\_ 20 Watts Avg. @ 40°C  
 DERATED LINEARLY TO 5 WATTS @ +125°C  
 Peak Power \_\_\_\_\_ 500 Watts Max.  
 (5uSec Pulse, .05% Duty Cycle)  
 Impedance \_\_\_\_\_ 50 Ohms  
 Operating Temp Range \_\_\_\_\_ -65°C to +125°C

### Mechanical:

SMA Connectors \_\_\_\_\_ Passivated Stainless Steel  
 Mates with MIL-STD-348  
 Conductors \_\_\_\_\_ Gold Plated Beryllium Copper  
 Housing \_\_\_\_\_ Black Anodized Aluminum

Connector Configuration	LENGTH
Male/Female	3.16 ±.05 [80.26 ±1.27]
Male/Male	3.29 ±.05 [83.57 ±1.27]
Female/Female	3.03 ±.05 [76.96 ±1.27]



## HOW TO ORDER:

Model Number: **2099-XXY**

Connector Configuration  
 = Male/Female  
 F = Fem/Fem  
 M = Male/Male  
 dB Value

## Ordering Examples:

Model Number: **2099-20**  
 DC - 18 GHz; 20 dB; SMA - Male/Fem  
 Model Number: **2099-06F**  
 DC - 18 GHz; 6 dB; SMA - Fem/Fem  
 Model Number: **2099-03M**  
 DC - 18 GHz; 3 dB; SMA - Male/Male

Note: Dimensions in Brackets are Expressed in Millimeters and are for Reference Only.  
 Design specifications are subject to change without notice.  
 Contact factory for technical specifications before purchasing or use.