

# DROP-IN ISOLATOR

- Broad Selection of Frequency and Bandwidth (0.3Ghz-18Ghz, from 3% to Full Bandwidth)
- Wide Variety of Packages
- Military, Space and Commercial Applications
- High Power Handling available
- Attenuator Option
- High Typical Isolation Above 25dB
- Low Typical Insertion Loss Below 0.3dB
- Wide Operation Temperature Range
- Custom Design Available Upon Request (see select-a-frequency section)



## DROP-IN ISOLATOR BY APPLICATION

FREQUENCY (GHz)		MODEL	ISOLATION	INS LOSS	VSWR	OPERATING	PWR	IMD (-dBc)MAX	SIZE L*W*H	PACKAGE
F1	F2	NUMBER	(dB) MIN	(dB) MAX	MAX	TEMP(°C)	FWD/REV ( W )	@ 2X47dBm	(mm)	CODE
<b>VHF APPLICATION</b>										
0.132	0.144	JID0132T0144G10	18	0.60	1.30	0~60	100/100	NO DATA	70*78*15	ID26
0.144	0.148	JID0144T0148G10	18	0.60	1.30	0~60	100/100	NO DATA	70*78*15	ID26
0.148	0.156	JID0148T0156G10	18	0.60	1.30	0~60	100/100	NO DATA	70*78*15	ID26
0.156	0.174	JID0156T0174G10	18	0.60	1.30	0~60	100/100	NO DATA	70*78*15	ID26
<b>UHF / TETRA APPLICATION</b>										
0.300	0.420	JID0300T0420G10	18	0.50	1.30	-30~+60	150/100	NO DATA	70*78*15	ID26
0.380	0.400	JID0380T0400G10	25	0.25	1.15	-30~+60	150/100	NO DATA	44*57.5*16	ID01
0.380	0.460	JID0380T0460G10	20	0.40	1.25	-30~+60	150/100	NO DATA	44*57.5*16	ID01
0.410	0.430	JID0410T0430G10	20	0.40	1.25	-30~+60	150/100	NO DATA	44*57.5*16	ID01
0.420	0.450	JID0420T0450G10	25	0.25	1.15	-30~+60	150/100	NO DATA	44*57.5*16	ID01
0.450	0.470	JID0450T0470G10	25	0.25	1.15	-30~+60	150/100	NO DATA	44*57.5*16	ID01
0.470	0.512	JID0470T0512G10	25	0.25	1.15	-30~+60	150/100	NO DATA	44*57.5*16	ID01
0.512	0.698	JID0512T0698G10	20	0.40	1.25	-30~+60	150/100	NO DATA	44*57.5*16	ID01
0.698	0.806	JID0698T0806G10	20	0.40	1.25	-30~+60	150/100	NO DATA	44*57.5*16	ID01
<b>DIGITAL TV APPLICATION</b>										
0.470	0.600	JID0470T0600G10	20	0.40	1.25	-30~+60	150/100	NO DATA	44*57.5*16	ID01
<b>RFID APPLICATION</b>										
0.860	0.872	JID0860T0872M10	23	0.22	1.15	-30~+75	150/100	-75	25.4*31.7*10	ID27
0.860	0.960	JID0860T0960M10	21	0.30	1.20	-30~+75	150/100	-75	25.4*31.7*10	ID27
0.902	0.928	JID0902T0928M10	23	0.22	1.15	-30~+75	150/100	-75	25.4*31.7*10	ID27
0.950	0.956	JID0950T0956M10	23	0.22	1.15	-30~+75	150/100	-75	25.4*31.7*10	ID27
<b>CELLULAR GSM APPLICATION</b>										
0.800	0.960	JID0800T0960M10	20	0.40	1.25	-20~+85	150/100	-70	25.4*31.7*10	ID27
0.824	0.849	JID0824T0849M10	23	0.22	1.15	-20~+85	150/100	-75	25.4*31.7*10	ID27
0.824	0.849	JID0824T0849M10-II	20	0.35	1.20	-20~+85	100/100	-65	19*25.4*10	ID28
0.869	0.894	JID0869T0894M10	23	0.22	1.15	-20~+85	150/100	-75	25.4*31.7*10	ID27
0.869	0.894	JID0869T0894M10-II	20	0.35	1.20	-20~+85	100/100	-65	19*25.4*10	ID28
0.869	0.960	JID0869T0960M10	22	0.25	1.20	-20~+85	150/100	-70	25.4*31.7*10	ID27
0.876	0.880	JID0876T0880M10	22	0.22	1.15	-20~+85	150/100	-75	25.4*31.7*10	ID27
0.876	0.880	JID0876T0880M10-II	20	0.35	1.20	-20~+85	100/100	-65	19*25.4*10	ID28
0.880	0.915	JID0880T0915M10	22	0.22	1.15	-20~+85	150/100	-75	25.4*31.7*10	ID27
0.880	0.915	JID0880T0915M10-II	20	0.35	1.20	-20~+85	100/100	-65	19*25.4*10	ID28
0.921	0.925	JID0921T0925M10	22	0.22	1.15	-20~+85	150/100	-75	25.4*31.7*10	ID27
0.921	0.925	JID0921T0925M10-II	20	0.35	1.20	-20~+85	100/100	-65	19*25.4*10	ID28
0.923	0.962	JID0923T0962M10	22	0.22	1.15	-20~+85	150/100	-75	25.4*31.7*10	ID27
0.923	0.962	JID0923T0962M10-II	20	0.35	1.20	-20~+85	100/100	-65	19*25.4*10	ID28
0.925	0.960	JID0925T0960M10	22	0.22	1.15	-20~+85	150/100	-75	25.4*31.7*10	ID27
0.925	0.960	JID0925T0960M10-II	20	0.35	1.20	-20~+85	100/100	-65	19*25.4*10	ID28
0.935	0.960	JID0935T0960M10	22	0.22	1.15	-20~+85	150/100	-75	25.4*31.7*10	ID27
0.935	0.960	JID0935T0960M10-II	20	0.35	1.20	-20~+85	100/100	-65	19*25.4*10	ID28



500 Lake Cook Road, Suite 350, Deerfield, IL 60015, USA  
 Tel:1(888)236-9828/ 1(630)930-9917 Fax:1(630)823-2902  
 Website:www.jqlelectronics.com email: sales@jqlelectronics.com

# DROP-IN ISOLATOR

## DROP-IN ISOLATOR BY APPLICATION

FREQUENCY (GHz)		MODEL	ISOLATION	INS LOSS	VSWR	OPERATING	PWR	IMD (-dBc)MAX	SIZE L*W*H	PACKAGE
F1	F2	NUMBER	(dB) MIN	(dB) MAX	MAX	TEMP( °C)	FWD/REV ( W )	@ 2X47dBm	(mm)	CODE
<b>CELLULAR DCS/PCS APPLICATION</b>										
1.710	1.785	JID1710T1785M10	22	0.25	1.15	-35~+85	100/100	-70	19*25.4*10	ID28
1.710	1.785	JID1710T1785M10-II	22	0.22	1.15	-35~+85	150/100	-75	25.4*31.7*10	ID27
1.803	1.882	JID1803T1882M10	22	0.25	1.15	-35~+85	100/100	-70	19*25.4*10	ID28
1.803	1.882	JID1803T1882M10-II	22	0.22	1.15	-35~+85	150/100	-75	25.4*31.7*10	ID27
1.805	1.880	JID1805T1880M10	22	0.25	1.15	-35~+85	100/100	-70	19*25.4*10	ID28
1.805	1.880	JID1805T1880M10-II	22	0.22	1.15	-35~+85	150/100	-75	25.4*31.7*10	ID27
1.805	1.990	JID1805T1990M10	21	0.35	1.25	-35~+85	100/100	-70	19*25.4*10	ID28
1.805	1.990	JID1805T1990M10-II	21	0.30	1.25	-35~+85	150/100	-75	25.4*31.7*10	ID27
1.805	1.910	JID1805T1910M10	21	0.25	1.25	-35~+85	100/100	-70	19*25.4*10	ID28
1.805	1.910	JID1805T1910M10-II	22	0.25	1.25	-35~+85	150/100	-75	25.4*31.7*10	ID27
1.930	1.990	JID1930T1990M10	22	0.22	1.15	-35~+85	100/100	-75	19*25.4*10	ID28
1.930	1.990	JID1930T1990M10-II	22	0.22	1.15	-35~+85	150/100	-75	25.4*31.7*10	ID27
<b>CELLULAR UMTS/CDMA APPLICATION</b>										
2.080	2.200	JID2080T2200M10	22	0.22	1.15	-35~+85	100/100	-75	19*25.4*10	ID28
2.080	2.200	JID2080T2200M10-II	22	0.22	1.15	-35~+85	150/100	-75	25.4*31.7*10	ID27
2.110	2.170	JID2110T2170M10	22	0.22	1.15	-35~+85	100/100	-75	19*25.4*10	ID28
2.110	2.170	JID2110T2170M10-II	22	0.22	1.15	-35~+85	150/100	-75	25.4*31.7*10	ID27
<b>WIMAX APPLICATION</b>										
2.300	2.500	JID2300T2500M10	21	0.25	1.25	-35~+85	100/100	-75	19*25.4*10	ID28
2.300	2.500	JID2300T2500M10-II	22	0.25	1.25	-35~+85	150/100	-75	25.4*31.7*10	ID27
2.496	2.690	JID2496T2690M10	21	0.25	1.25	-35~+85	100/100	-75	19*25.4*10	ID28
2.496	2.690	JID2496T2690M10-II	22	0.25	1.25	-35~+85	150/100	-75	25.4*31.7*10	ID27
2.500	2.700	JID2500T2700M10	21	0.25	1.25	-35~+85	100/100	-75	19*25.4*10	ID28
2.500	2.700	JID2500T2700M10-II	22	0.25	1.25	-35~+85	150/100	-75	25.4*31.7*10	ID27
3.300	3.500	JID3300T3500G1	23	0.30	1.20	-35~+85	100/10	NO DATA	19*19*7.7	ID17
3.300	3.800	JID3300T3800G1	21	0.40	1.25	-35~+85	100/10	NO DATA	19*19*7.7	ID17
3.400	3.600	JID3400T3600G1	23	0.30	1.20	-35~+85	100/10	NO DATA	19*19*7.7	ID17

## NARROW BAND DROP-IN ISOLATOR

FREQUENCY (GHz)		MODEL	ISOLATION	INS LOSS	VSWR	OPERATING	PWR HANDLING	SIZE L*W*H	PACKAGE
F1	F2	NUMBER	(dB) MIN	(dB) MAX	MAX	TEMP( °C)	FWD/REV ( W)	(mm)	CODE
0.132	0.144	JID0132 T0144G10	18	0.60	1.30	0-60	100/100	70*78*15	ID26
0.144	0.148	JID0144 T0148G10	18	0.60	1.30	0-60	100/100	70*78*15	ID26
0.148	0.156	JID0148 T0156G10	18	0.60	1.30	0-60	100/100	70*78*15	ID26
0.156	0.174	JID0156 T0174G10	18	0.60	1.30	0-60	100/100	70*78*15	ID26
0.300	0.420	JID0300 T0420G10	18	0.50	1.30	-30~+60	150/100	70*78*15	ID26
0.380	0.400	JID0380 T0400G10	25	0.25	1.15	-30~+60	150/100	44*57.5*16	ID01
0.380	0.450	JID0380 T0450G15	19	0.40	1.25	-15~+60	200/150	44*57.5*16	ID01
0.380	0.450	JID0380 T0450G6	19	0.40	1.25	-15~+60	100/60	44*54*16	ID02
0.380	0.460	JID0380 T0460G10	20	0.40	1.25	-30~+60	150/100	44*57.5*16	ID01
0.410	0.430	JID0410 T0430G10	20	0.40	1.25	-30~+60	150/100	44*57.5*16	ID01
0.420	0.450	JID0420 T0450G10	25	0.25	1.15	-30~+60	150/100	44*57.5*16	ID01
0.420	0.450	JID0420 T0450G15	23	0.40	1.20	-15~+60	200/150	44*57.5*16	ID01
0.420	0.450	JID0420 T0450G6	25	0.30	1.20	-15~+60	100/60	44*54*16	ID02
0.450	0.470	JID0450 T0470G10	25	0.25	1.15	-30~+60	150/100	44*57.5*16	ID01
0.470	0.512	JID0470 T0512G10	25	0.25	1.15	-30~+60	150/100	44*57.5*16	ID01
0.512	0.698	JID0512 T0698G10	20	0.40	1.25	-30~+60	150/100	44*57.5*16	ID01
0.470	0.600	JID0470 T0600G10	20	0.40	1.25	-30~+60	150/100	44*57.5*16	ID01
0.698	0.806	JID0698 T0806G10	20	0.40	1.25	-30~+60	150/100	44*57.5*16	ID01
0.860	0.872	JID0860 T0872M 10	23	0.22	1.15	-30~+75	150/100	25.4*31.7*10	ID27
0.860	0.960	JID0860 T0960M 10	21	0.30	1.20	-30~+75	150/100	25.4*31.7*10	ID27
0.902	0.928	JID0902 T0928M 10	23	0.22	1.15	-30~+75	150/100	25.4*31.7*10	ID27
0.950	0.956	JID0950 T0956M 10	23	0.22	1.15	-30~+75	150/100	25.4*31.7*10	ID27
0.800	0.960	JID0800 T0960M 10	20	0.40	1.25	-20~+85	150/100	25.4*31.7*10	ID27
0.824	0.849	JID0824T 0849M 10	23	0.22	1.15	-20~+85	150/100	25.4*31.7*10	ID27
0.824	0.849	JID0824T 0849M 10-II	20	0.35	1.20	-20~+85	100/100	19*25.4*10	ID28



**JQL ELECTRONICS INC.**  
 1-888-236-9828 (USA)      1-630-930-9917 (International)      sales@jqlelectronics.com

# DROP-IN ISOLATOR

## NARROW BAND DROP-IN ISOLATOR

FREQUENCY (GHz)		MODEL	ISOLATION	INS LOSS	VSWR	OPERATING	PWR HANDLING	SIZE L*W*H	PACKAGE
F1	F2	NUMBER	(dB) MIN	(dB) MAX	MAX	TEMP (°C)	FWD/REV (W)	(mm)	CODE
0.850	0.875	JID0850T0875S6	23	0.35	1.20	-30~+70	100/60	25.4*31*6.8	ID08
0.869	0.894	JID0869T0894M10	23	0.22	1.15	-20~+85	150/100	25.4*31.7*10	ID27
0.869	0.894	JID0869T0894M10-II	20	0.35	1.20	-20~+85	100/100	19*25.4*10	ID28
0.869	0.894	JID0869T0894G1	25	0.35	1.20	-30~+70	60/10	20*20*8.6	ID03
0.869	0.894	JID0869T0894S6	25	0.30	1.20	-30~+70	100/60	25.4*31*6.8	ID08
0.869	0.894	JID0869T0894G1-B	25	0.30	1.20	-30~+70	60/10	25.4*25.4*12	ID09
0.869	0.960	JID0869T0960M10	22	0.25	1.20	-20~+85	150/100	25.4*31.7*10	ID27
0.876	0.880	JID0876T0880M10	22	0.22	1.15	-20~+85	150/100	25.4*31.7*10	ID27
0.876	0.880	JID0876T0880M10-II	20	0.35	1.20	-20~+85	100/100	19*25.4*10	ID28
0.880	0.915	JID0880T0915M10	22	0.22	1.15	-20~+85	150/100	25.4*31.7*10	ID27
0.880	0.915	JID0880T0915M10-II	20	0.35	1.20	-20~+85	100/100	19*25.4*10	ID28
0.921	0.925	JID0921T0925M10	22	0.22	1.15	-20~+85	150/100	25.4*31.7*10	ID27
0.921	0.925	JID0921T0925M10-II	20	0.35	1.20	-20~+85	100/100	19*25.4*10	ID28
0.923	0.962	JID0923T0962M10	22	0.22	1.15	-20~+85	150/100	25.4*31.7*10	ID27
0.923	0.962	JID0923T0962M10-II	20	0.35	1.20	-20~+85	100/100	19*25.4*10	ID28
0.925	0.960	JID0925T0960M10	22	0.22	1.15	-20~+85	150/100	25.4*31.7*10	ID27
0.925	0.960	JID0925T0960M10-II	20	0.35	1.20	-20~+85	100/100	19*25.4*10	ID28
0.925	0.960	JID0925T0960G1	25	0.35	1.20	-30~+70	60/10	20*20*8.6	ID03
0.925	0.960	JID0925T0960S6	25	0.30	1.20	-30~+70	100/60	25.4*31*6.8	ID08
0.925	0.960	JID0925T0960G1-B	25	0.30	1.20	-30~+70	60/10	25.4*25.4*12	ID09
0.935	0.960	JID0935T0960M10	22	0.22	1.15	-20~+85	150/100	25.4*31.7*10	ID27
0.935	0.960	JID0935T0960M10-II	20	0.35	1.20	-20~+85	100/100	19*25.4*10	ID28
0.960	1.215	JID0960T1215G1	20	0.40	1.25	-30~+70	30/10	25.4*28.5*12	ID07
0.980	1.080	JID0980T1080G1	21	0.35	1.20	-30~+70	60/10	25.4*25.4*12	ID09
0.990	1.130	JID0990T1130G1	20	0.50	1.25	-30~+70	60/10	20*20*9.1	ID04
0.995	1.134	JID0995T1134G1	20	0.50	1.25	-30~+70	60/10	20*20*9.1	ID04
1.000	1.100	JID1000T1100G1	20	0.40	1.20	-40~+85	60/10	25.4*25.4*12	ID09
1.030	1.090	JID1030T1090G1	25	0.30	1.20	-30~+70	60/10	25.4*28.5*12	ID07
1.030	1.090	JID1030T1090S6	20	0.35	1.20	-30~+70	100/60	25.4*31.7*6.8	ID08
1.080	1.195	JID1080T1195G1	20	0.35	1.20	-30~+70	60/10	25.4*28.5*12	ID07
1.080	1.195	JID1080T1195S6	20	0.35	1.20	-30~+70	100/60	25.4*31.7*6.8	ID08
1.200	1.400	JID1200T1400G1	20	0.40	1.20	-30~+70	60/10	25.4*25.4*12	ID09
1.300	1.400	JID1300T1400G1	20	0.50	1.20	-40~+85	60/10	25.4*25.4*12	ID09
1.300	1.400	JID1300T1400G1-B	20	0.50	1.20	-40~+85	60/10	20*30*11.5	ID11
1.435	1.535	JID1435T1535G1	21	0.35	1.22	-30~+70	60/10	20*24.4*12	ID12
1.525	1.559	JID1525T1559G1	25	0.30	1.20	-30~+70	60/10	20*24.4*12	ID12
1.605	1.625	JID1605T1625S1	20	0.40	1.20	-30~+70	60/10	15*16.5*6.6	ID10
1.710	1.785	JID1710T1785M10	22	0.25	1.15	-35~+85	100/100	19*25.4*10	ID28
1.710	1.785	JID1710T1785M10-II	22	0.22	1.15	-35~+85	150/100	25.4*31.7*10	ID27
1.803	1.882	JID1803T1882M10	22	0.25	1.15	-35~+85	100/100	19*25.4*10	ID28
1.803	1.882	JID1803T1882M10-II	22	0.22	1.15	-35~+85	150/100	25.4*31.7*10	ID27
1.805	1.880	JID1805T1880M10	22	0.25	1.15	-35~+85	100/100	19*25.4*10	ID28
1.805	1.880	JID1805T1880M10-II	22	0.22	1.15	-35~+85	150/100	25.4*31.7*10	ID27
1.805	1.880	JID1835T1880S6	25	0.30	1.20	-30~+70	100/60	19*25.4*5.6	ID13
1.805	1.880	JID1835T1880S0	25	0.30	1.20	-30~+70	30/5	19*19*5.6	ID14
1.805	1.990	JID1805T1990S10	21	0.35	1.25	-35~+85	100/100	19*25.4*10	ID28
1.805	1.990	JID1805T1990M10-II	21	0.30	1.25	-35~+85	150/100	25.4*31.7*10	ID27
1.805	1.910	JID1805T1910M10	21	0.25	1.25	-35~+85	100/100	19*25.4*10	ID28
1.805	1.910	JID1805T1910M10-II	22	0.25	1.25	-35~+85	150/100	25.4*31.7*10	ID27
1.900	2.030	JID1900T2030S6	25	0.30	1.20	-30~+70	100/60	19*25.4*5.6	ID13
1.900	2.030	JID1900T2030G0	25	0.30	1.20	-30~+70	30/5	19*19*5.6	ID14



500 Lake Cook Road, Suite 350, Deerfield, IL 60015, USA  
 Tel: (888)236-9828/ 1(630)930-9917 Fax: (630)823-2902  
 Website: www.jqlelectronics.com email: sales@jqlelectronics.com

# DROP-IN ISOLATOR

## NARROW BAND DROP-IN ISOLATOR

FREQUENCY (GHz)		MODEL	ISOLATION	INS LOSS	VSWR	OPERATING	PWR HANDLING	SIZE L*W*H	PACKAGE
F1	F2	NUMBER	(dB) MIN	(dB) MAX	MAX	TEMP( °C)	FWD/REV (W)	(mm)	CODE
1.930	1.990	JID1930 T1990M 10	22	0.22	1.15	-35~+85	100/100	19*25.4*10	ID28
1.930	1.990	JID1930T 1990M 10-II	22	0.22	1.15	-35~+85	150/100	25.4*31.7*10	ID27
1.930	1.990	JID1930T 1990S6	25	0.30	1.20	-30~+70	100/60	19*25.4*5.6	ID13
1.930	1.990	JID1930 T1990G0	25	0.30	1.20	-30~+70	30/5	19*19*5.6	ID14
1.960	2.170	JID1960 T2170G0	20	0.40	1.20	-30~+70	30/5	20*24.2*12	ID12
2.070	2.140	JID2070 T2140S 6	25	0.30	1.20	-30~+70	100/60	19*25.4*5.6	ID13
2.070	2.140	JID2070 T2140G0	25	0.30	1.20	-30~+70	30/5	19*19*5.6	ID14
2.080	2.200	JID2080 T2200M 10	22	0.22	1.15	-35~+85	100/100	19*25.4*10	ID28
2.080	2.200	JID2080T 2200M 10-II	22	0.22	1.15	-35~+85	150/100	25.4*31.7*10	ID27
2.095	2.185	JID2095 T2185S 6	25	0.30	1.20	-30~+70	100/60	19*25.4*5.6	ID13
2.095	2.185	JID2095 T2185G0	25	0.30	1.20	-30~+70	30/5	19*19*5.6	ID14
2.100	2.300	JID2100 T2300G1	25	0.30	1.20	-30~+70	60/10	20*30*11.5	ID11
2.100	2.300	JID2100 T2300G1-B	23	0.30	1.20	-30~+70	60/10	18*25*10	ID16
2.110	2.170	JID2110 T2170M 10	22	0.22	1.15	-35~+85	100/100	19*25.4*10	ID28
2.110	2.170	JID2110T 2170M 10-II	22	0.22	1.15	-35~+85	150/100	25.4*31.7*10	ID27
2.150	2.350	JID2150 T2350G1-B	23	0.30	1.20	-30~+70	60/10	18*25*10	ID16
2.200	2.300	JID2200 T2300G1	23	0.30	1.20	-30~+70	60/10	18*25*10	ID16
2.300	2.500	JID2300 T2500M 10	21	0.25	1.25	-35~+85	100/100	19*25.4*10	ID28
2.300	2.500	JID2300T 2500M 10-II	22	0.25	1.25	-35~+85	150/100	25.4*31.7*10	ID27
2.300	2.700	JID2300 T2700G2	20	0.40	1.20	-30~+70	100/25	25*30*11.5	ID15
2.365	2.435	JID2365 T2435S 1	23	0.30	1.20	-30~+70	60/10	19*19*5.6	ID14
2.415	2.485	JID2415 T2485S 1	23	0.30	1.20	-30~+70	60/10	19*19*5.6	ID14
2.496	2.690	JID2496 T2690M 10	21	0.25	1.25	-35~+85	100/100	19*25.4*10	ID28
2.496	2.690	JID2496T 2690M 10-II	22	0.25	1.25	-35~+85	150/100	25.4*31.7*10	ID27
2.500	2.700	JID2500 T2700M 10	21	0.25	1.25	-35~+85	100/100	19*25.4*10	ID28
2.500	2.700	JID2500T 2700M 10-II	22	0.25	1.25	-35~+85	150/100	25.4*31.7*10	ID27
2.500	2.700	JID2500 T2700G2	25	0.30	1.20	-30~+70	100/25	25*30*11.5	ID15
2.500	2.700	JID2500 T2700G1	23	0.30	1.20	-30~+70	60/10	18*25*10	ID16
2.700	2.900	JID2700 T2900G1	23	0.30	1.20	-30~+70	60/10	18*25*10	ID16
2.800	3.300	JID2800 T3300G1	20	0.60	1.25	-30~+70	60/10	25*30*11.5	ID15
2.850	3.550	JID2850 T3550G1	22	0.40	1.20	-15~+50	60/10	25*30*11.5	ID15
2.900	3.100	JID2900 T3100G1	23	0.40	1.20	-30~+70	60/10	25*30*11.5	ID15
3.000	3.500	JID3000 T3500G1	20	0.50	1.25	-30~+70	30/10	19*19*7.7	ID17
3.100	3.500	JID3100 T3500G0	20	0.50	1.20	-55~+85	30/1	19*19*7.7	ID17
3.300	3.500	JID3300 T3500G1	23	0.30	1.20	-35~+85	100/10	19*19*7.7	ID17
3.300	3.800	JID3300 T3800G1	21	0.40	1.25	-35~+85	100/10	19*19*7.7	ID17
3.400	3.600	JID3400 T3600G1	23	0.30	1.20	-35~+85	100/10	19*19*7.7	ID17
3.400	3.700	JID3400 T3700G1	25	0.30	1.20	-40~+75	30/10	16*26*10.5	ID19
3.400	3.800	JID3400 T3800G0	20	0.50	1.20	-55~+85	30/1	19*19*7.7	ID17
3.400	3.900	JID3400 T3900G1	20	0.50	1.20	-30~+70	30/10	19*19*7.7	ID17
3.500	3.800	JID3500 T3800G1	23	0.30	1.20	-30~+70	30/10	19*19*7.7	ID17
3.600	4.200	JID3600 T4200G1	23	0.40	1.20	-40~+75	30/10	16*26*10.5	ID19
3.700	4.200	JID3700 T4200G1-B	20	0.50	1.25	-40~+75	30/10	19*19*7.7	ID17
3.700	4.200	JID3700 T4200G1	23	0.40	1.20	-40~+75	30/10	16*26*10.5	ID19
3.700	4.300	JID3700 T4300G1	23	0.40	1.20	-40~+75	30/10	16*26*10.5	ID19
4.200	4.400	JID4200 T4400G1	25	0.30	1.20	-40~+75	20/10	10*18*8	ID20
4.400	5.000	JID4400 T5000G1	23	0.40	1.20	-40~+75	20/10	12*20*6	ID21
4.500	4.700	JID4500 T4700G1	25	0.30	1.20	-40~+75	20/10	10*18*8	ID20
4.750	5.250	JID4750 T5250G1	23	0.40	1.20	-40~+75	20/10	12*20*6	ID21
5.150	5.650	JID5150 T5650G1	23	0.40	1.20	-40~+75	20/10	12*20*6	ID21
5.400	5.900	JID5400 T5900G1	23	0.40	1.20	-40~+75	20/10	12*20*6	ID21
5.845	6.425	JID5845 T6425G1	23	0.40	1.20	-40~+75	20/10	12*20*6	ID21
5.900	6.400	JID5900 T6400G1	23	0.40	1.20	-40~+75	20/10	12*20*6	ID21



**JQL ELECTRONICS INC.**  
 1-888-236-9828 (USA)      1-630-930-9917 (International)      sales@jqlelectronics.com

# DROP-IN ISOLATOR

## NARROW BAND DROP-IN ISOLATOR

FREQUENCY (GHz)		MODEL	ISOLATION	INS LOSS	VSWR	OPERATING	PWR HANDLING	SIZE L*W*H	PACKAGE
F1	F2	NUMBER	(dB) MIN	(dB) MAX	MAX	TEMP (°C)	FWD/REV (W)	(mm)	CODE
6.600	7.300	JID6600 T7300G1	23	0.40	1.20	-40~+75	20/10	12*20*6	ID21
6.900	7.600	JID6900 T7600G1	23	0.40	1.20	-40~+75	20/10	12*20*6	ID21
7.000	7.500	JID7000 T7500G0	23	0.40	1.20	-40~+75	15/5	8.9*15*7.8	ID05
7.000	7.500	JID7000 T7500G1	23	0.40	1.20	-40~+75	20/10	12*20*9.5	ID22
7.000	7.700	JID7000 T7700G0	23	0.40	1.20	-40~+75	15/5	8.9*15*7.8	ID05
7.000	7.700	JID7000 T7700G1	23	0.40	1.20	-40~+75	20/10	12*20*9.5	ID22
7.100	7.700	JID7100 T7700G0	23	0.40	1.20	-40~+75	15/5	8.9*15*7.8	ID05
7.100	7.700	JID7100 T7700G1	23	0.40	1.20	-40~+75	20/10	12*20*9.5	ID22
7.125	7.875	JID7125 T7875G0	23	0.40	1.20	-40~+75	15/5	8.9*15*7.8	ID05
7.125	7.875	JID7125 T7875G1	23	0.40	1.20	-40~+75	20/10	12*20*9.5	ID22
7.500	8.400	JID7500 T8400G0	23	0.40	1.20	-40~+75	15/5	8.9*15*7.8	ID05
7.500	8.400	JID7500 T8400G1	23	0.40	1.20	-40~+75	20/10	12*20*9.5	ID22
7.800	8.600	JID7800 T8600G0	23	0.40	1.20	-40~+75	15/5	8.9*15*7.8	ID05
7.800	8.600	JID7800 T8600G1	23	0.40	1.20	-40~+75	20/10	12*20*9.5	ID22
8.000	8.500	JID8000 T8500G0	23	0.40	1.20	-40~+75	15/5	8.9*15*7.8	ID05
8.000	8.500	JID8000 T8500G1	23	0.40	1.20	-40~+75	20/10	12*20*9.5	ID22
8.600	9.600	JID8600 T9600G0	23	0.40	1.20	-40~+75	15/5	8.9*15*7.8	ID05
8.600	9.600	JID8600 T9600G1	23	0.40	1.20	-40~+75	20/10	12*20*9.5	ID22
9.200	9.900	JID9200 T9900G0-B	23	0.40	1.20	-40~+75	15/5	8.9*15*7.8	ID05
9.200	9.900	JID9200 T9900G0	23	0.50	1.20	-40~+75	15/5	8.9*15*5.6	ID06
9.200	9.900	JID9200 T9900G1	23	0.40	1.20	-40~+75	20/10	12*20*9.5	ID22
9.500	10.500	JID9500 T10K 5G0-B	23	0.40	1.20	-40~+75	15/5	8.9*15*7.8	ID05
9.500	10.500	JID9500 T10K 5G0	23	0.50	1.20	-40~+75	15/5	8.9*15*5.6	ID06
9.500	10.500	JID9500 T10K 5G1	23	0.40	1.20	-40~+75	20/10	12*20*9.5	ID22
10.400	11.300	JID10K 4T 11K 3G0-B	23	0.40	1.20	-40~+75	15/5	8.9*15*7.8	ID05
10.400	11.300	JID10K 4T 11K 3G0	23	0.50	1.20	-40~+75	15/5	8.9*15*5.6	ID06
10.400	11.300	JID10K 4T 11K 3G1	23	0.40	1.20	-40~+75	20/10	12*20*9.5	ID22
10.700	11.950	JID10K 7T 12K G0-B	23	0.40	1.20	-40~+75	15/5	8.9*15*7.8	ID05
10.700	11.950	JID10K 7T 12K G0	23	0.50	1.20	-40~+75	15/5	8.9*15*5.6	ID06
10.700	11.950	JID10K 7T 12K G1	23	0.40	1.20	-40~+75	20/10	12*20*9.5	ID22
10.750	12.800	JID10K 7T 12K 8G0	23	0.40	1.20	-40~+75	15/5	8.9*15*7.8	ID05
10.750	12.800	JID10K 7T 12K 8G1	23	0.40	1.20	-40~+75	20/10	12*20*9.5	ID22
12.100	12.800	JID12K 1T 12K 8G0	23	0.40	1.20	-40~+75	15/5	8.9*15*7.8	ID05
12.700	13.500	JID12K T13K 5G0	23	0.40	1.20	-40~+75	15/5	8.9*15*7.8	ID05
13.750	14.500	JID13K 75T14K 5G2	22	0.35	1.20	-40~+75	20/15	12*20*9.5	ID22
17.200	17.900	JID17K 2T 17K 9G0	23	0.40	1.20	-40~+75	15/5	8.9*15*7.8	ID05
17.300	18.100	JID17K 3T 18K 1G0	23	0.40	1.20	-40~+75	15/5	8.9*15*7.8	ID05



500 Lake Cook Road, Suite 350, Deerfield, IL 60015, USA  
 Tel: 1(888)236-9828/ 1(630)930-9917 Fax: 1(630)823-2902  
 Website: www.jqlelectronics.com email: sales@jqlelectronics.com

# DROP-IN ISOLATOR

## DUAL JUNCTION DROP-IN ISOLATOR

FREQUENCY (GHz)		MODEL	ISOLATION	INS LOSS	VSWR	OPERATING	PWR HANDLING	SIZE L*W*H	PACKAGE
F1	F2	NUMBER	(dB) MIN	(dB) MAX	MAX	TEMP(°C)	FWD/REV (W)	(mm)	CODE
0.800	0.900	J12D0800T0900S6	40	0.70	1.25	-30~+70	100/60	55.1*31.7*6.8	ID23
0.811	0.821	J12D0811T0821S6	50	0.50	1.20	-30~+70	100/60	55.1*31.7*6.8	ID23
0.850	0.875	J12D0850T0875S6	50	0.50	1.20	-30~+70	100/60	55.1*31.7*6.8	ID23
0.856	0.866	J12D0856T0866S6	50	0.50	1.20	-30~+70	100/60	55.1*31.7*6.8	ID23
0.858	0.878	J12D0858T0878S6	50	0.50	1.20	-30~+70	100/60	55.1*31.7*6.8	ID23
0.860	0.872	J12D0860T0872S6	50	0.50	1.20	-30~+70	100/60	55.1*31.7*6.8	ID23
0.860	0.960	J12D0860T0960S6	40	0.70	1.25	-30~+70	100/60	55.1*31.7*6.8	ID23
0.869	0.894	J12D0869T0894S6	50	0.50	1.20	-30~+70	100/60	55.1*31.7*6.8	ID23
0.890	0.915	J12D0890T0915S6	50	0.50	1.20	-30~+70	100/60	55.1*31.7*6.8	ID23
0.902	0.928	J12D0902T0928S6	50	0.50	1.20	-30~+70	100/60	55.1*31.7*6.8	ID23
0.920	0.960	J12D0920T0960S6	40	0.60	1.20	-30~+70	100/60	55.1*31.7*6.8	ID23
0.925	0.960	J12D0925T0960S6	50	0.50	1.20	-30~+70	100/60	55.1*31.7*6.8	ID23
0.935	0.960	J12D0935T0960S6	50	0.50	1.20	-30~+70	100/60	55.1*31.7*6.8	ID23
0.950	0.956	J12D0950T0956S6	50	0.50	1.20	-30~+70	100/60	55.1*31.7*6.8	ID23
1.710	1.730	J12D1710T1730S6	50	0.50	1.20	-30~+70	100/60	50*33.4*12	ID24
1.805	1.825	J12D1805T1825S6	50	0.50	1.20	-30~+70	100/60	50*33.4*12	ID24
1.805	1.880	J12D1805T1880S6	40	0.70	1.25	-30~+70	100/60	50*33.4*12	ID24
1.930	1.990	J12D1930T1990S6	50	0.50	1.20	-30~+70	100/60	50*33.4*12	ID24
2.110	2.170	J12D2110T2170S6	50	0.50	1.20	-30~+70	100/60	50*33.4*12	ID24
2.400	2.500	J12D2400T2500S6	40	0.70	1.25	-30~+70	100/60	50*33.4*12	ID24

## SELECT-A-FREQUENCY DROP-IN ISOLATOR

FREQUENCY (GHz)		BANDWIDTH	ISOLATION	INS LOSS	VSWR	OPERATING	PWR HANDLING
F1	F2	UP TO	(dB) MIN	(dB) MAX	MAX	TEMP(°C)	FWD/REV ( W )
0.380	1.000	30MHz	25	0.30	1.20	-15~+60	100/60
0.380	1.000	30MHz	25	0.40	1.20	-15~+60	150/150
0.700	1.000	30MHz	23	0.35	1.20	-30~+70	100/60
0.800	1.200	25MHz	25	0.30	1.20	-30~+70	100/60
0.800	1.200	70MHz	23	0.30	1.20	-30~+70	100/60
0.800	1.200	200MHz	20	0.40	1.25	-30~+70	100/60
1.000	2.400	70MHz	23	0.30	1.20	-30~+70	100/60
1.000	2.400	200MHz	20	0.40	1.25	-30~+70	100/60
2.000	3.500	200MHz	25	0.30	1.20	-30~+70	100/60
2.000	3.500	400MHz	20	0.40	1.20	-30~+70	100/60
3.000	8.000	300MHz	25	0.30	1.20	-30~+70	25/10
3.000	8.000	600MHz	20	0.40	1.20	-30~+70	25/10
7.000	18.000	300MHz	25	0.30	1.20	-30~+70	15/5
7.000	18.000	1000MHz	20	0.40	1.20	-30~+70	15/5

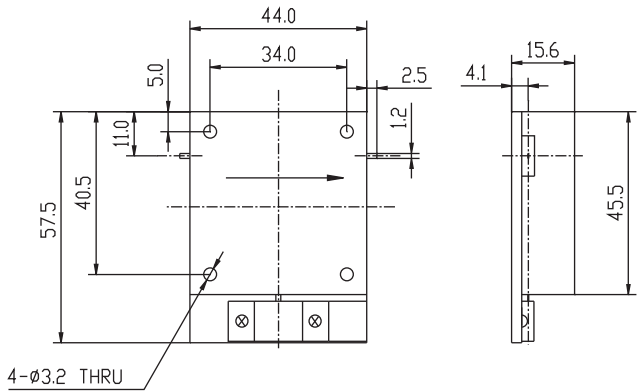
## SELECT-A-FREQUENCY DUAL JUNCTION DROP-IN ISOLATOR (HIGH ISOLATION)

FREQUENCY (GHz)		BANDWIDTH	ISOLATION	INS LOSS	VSWR	OPERATING	PWR HANDLING
F1	F2	UP	(dB) MIN	(dB) MAX	MAX	TEMP(°C)	FWD/REV ( W )
0.800	1.800	25MHz	50	0.50	1.20	-30~+70	100/60
1.700	2.500	70MHz	40	0.60	1.25	-30~+70	100/60
3.500	6.500	300MHz	50	0.50	1.20	-30~+70	25/10
5.000	7.000	100MHz	50	0.50	1.20	-30~+70	15/5
7.000	18.000	500MHz	50	0.50	1.20	-30~+70	15/5

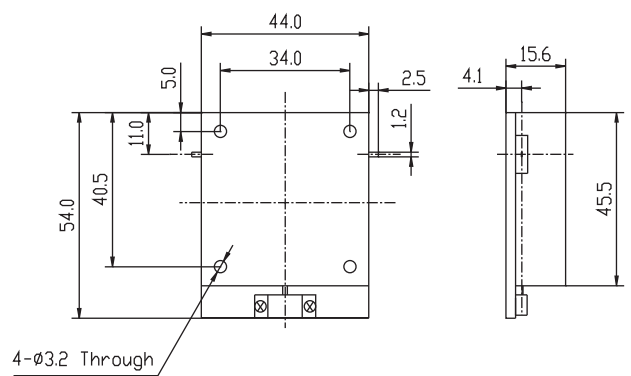


**JQL ELECTRONICS INC.**  
 1-888-236-9828 (USA)      1-630-930-9917 (International)      sales@jqlelectronics.com

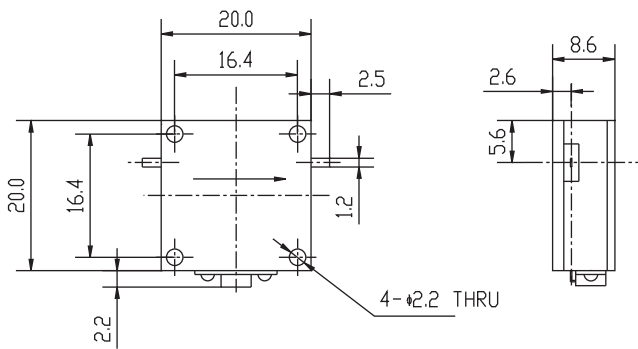
# DROP-IN ISOLATOR



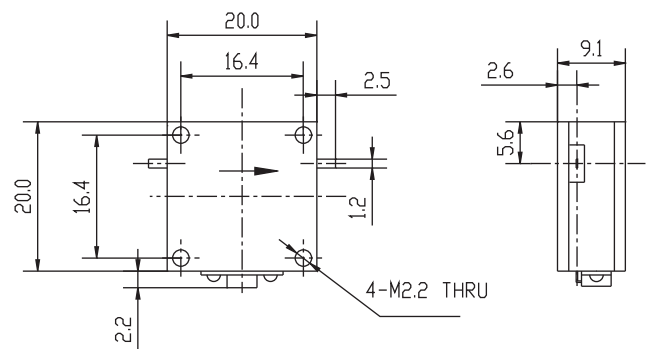
ID01-DROP-IN ISOLATOR



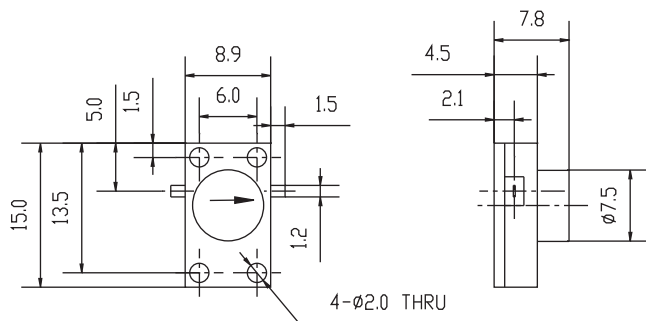
ID02-DROP-IN ISOLATOR



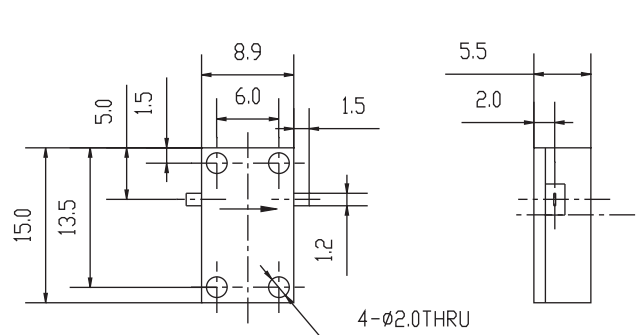
ID03-DROP-IN ISOLATOR



ID04-DROP-IN ISOLATOR



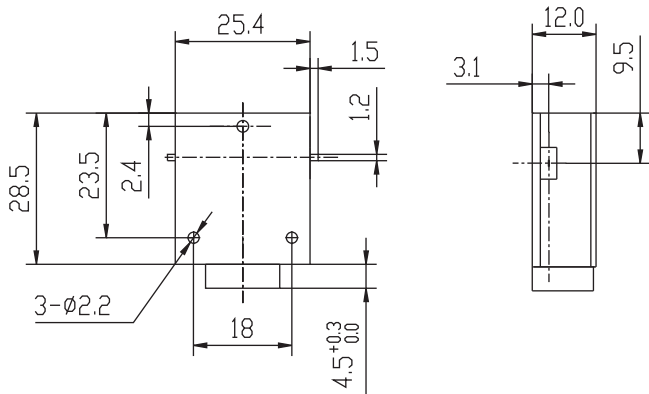
ID05-DROP-IN ISOLATOR



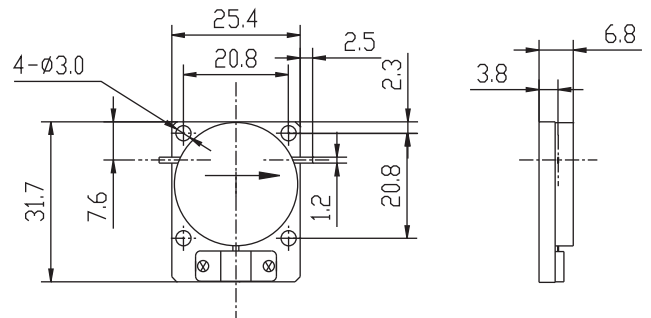
ID06-DROP-IN ISOLATOR



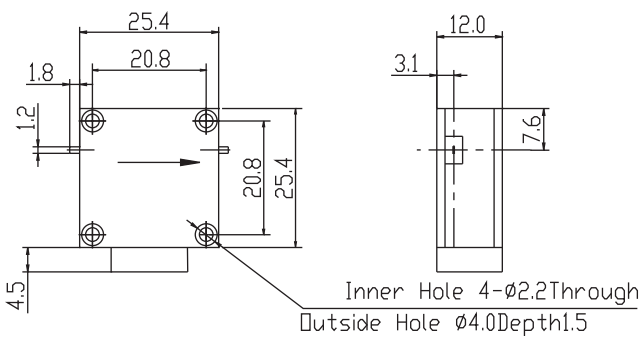
# DROP-IN ISOLATOR



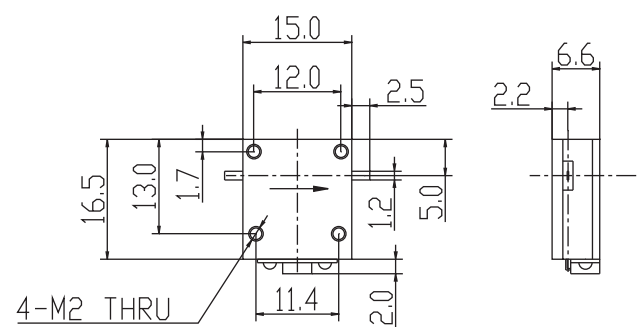
ID07-DROP-IN ISOLATOR



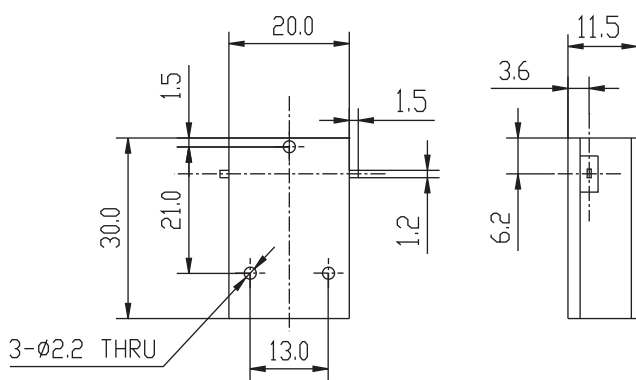
ID08-DROP-IN ISOLATOR



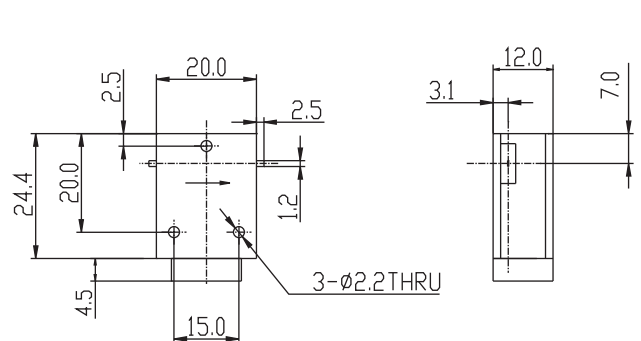
ID09-DROP-IN ISOLATOR



ID10-DROP-IN ISOLATOR



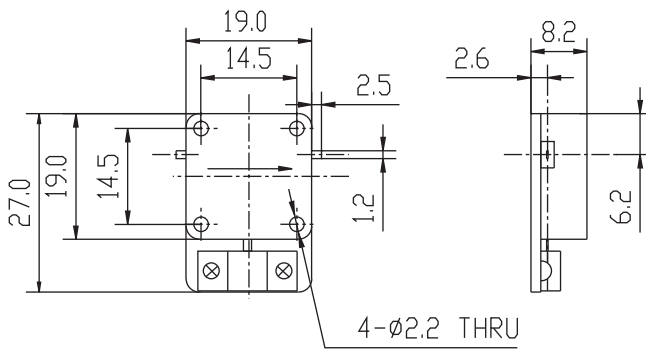
ID11-DROP-IN ISOLATOR



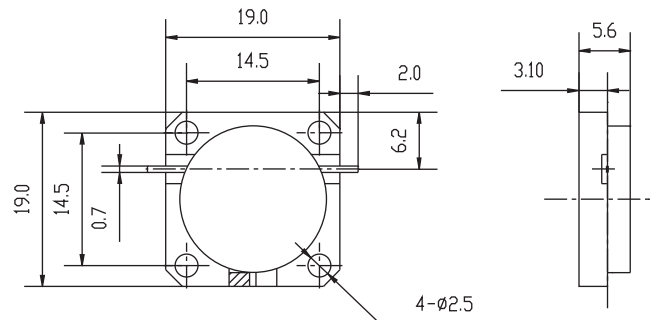
ID12-DROP-IN ISOLATOR



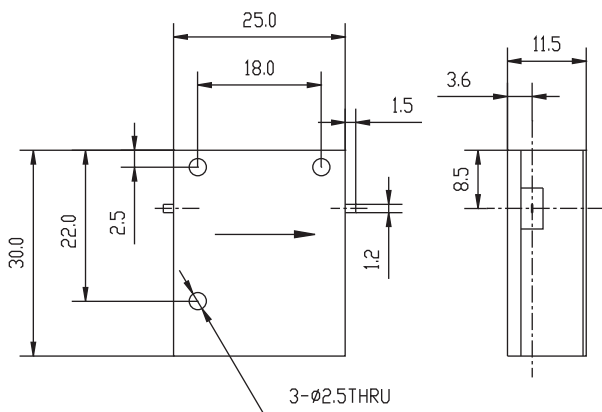
# DROP-IN ISOLATOR



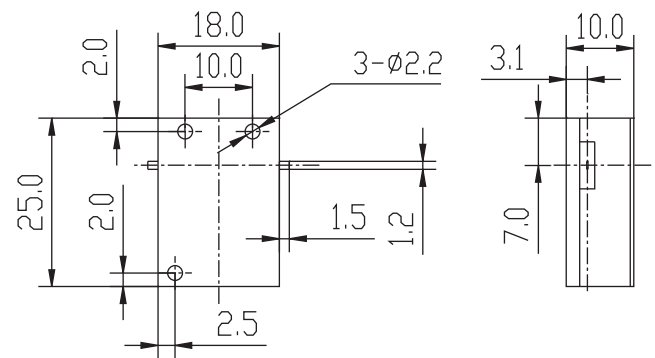
ID13-DROP-IN ISOLATOR



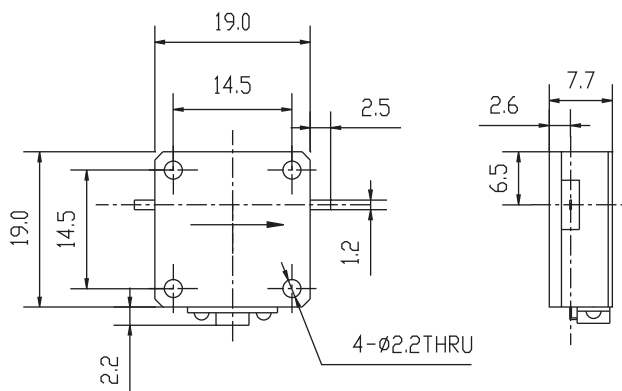
ID14-DROP-IN ISOLATOR



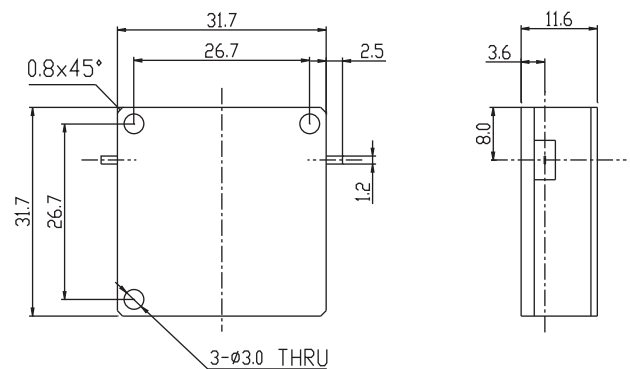
ID15-DROP-IN ISOLATOR



ID16-DROP-IN ISOLATOR

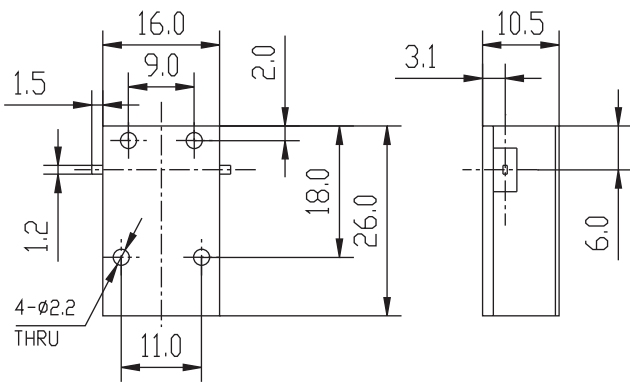


ID17-DROP-IN ISOLATOR

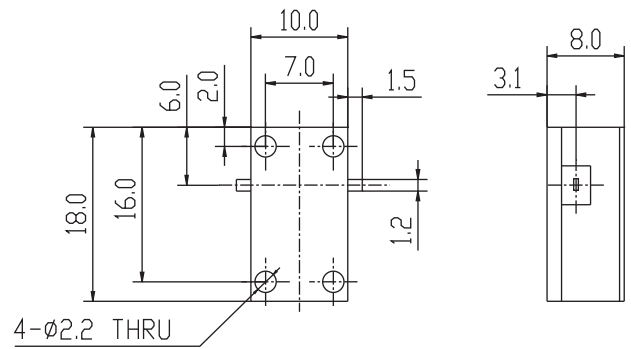


ID18-DROP-IN ISOLATOR

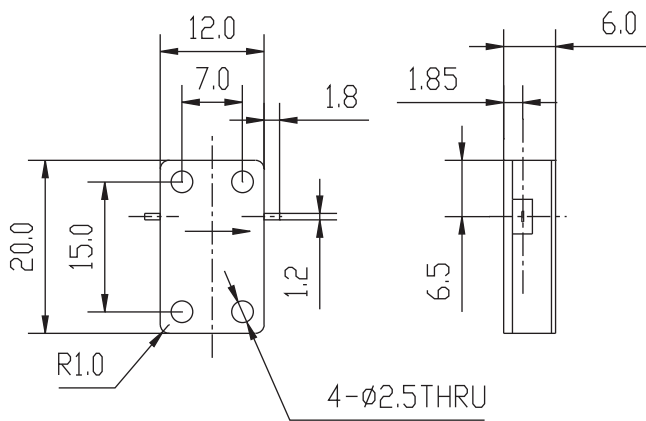
# DROP-IN ISOLATOR



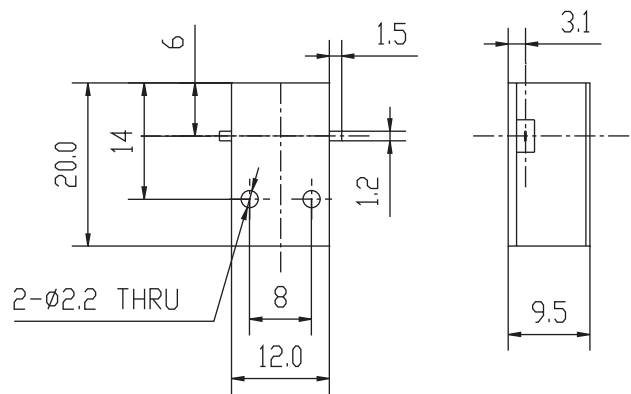
ID19-DROP-IN ISOLATOR



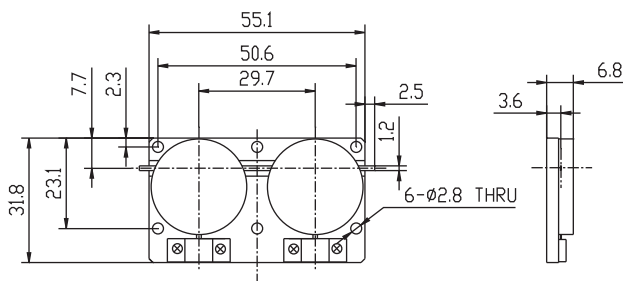
ID20-DROP-IN ISOLATOR



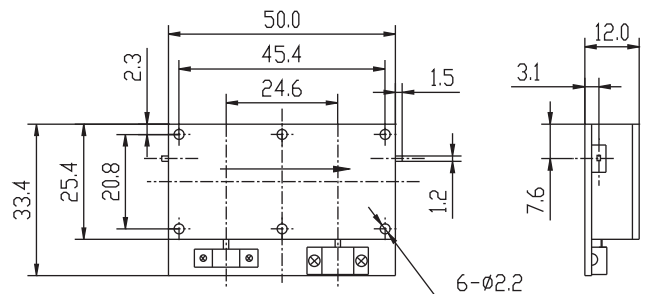
ID21-DROP-IN ISOLATOR



ID22-DROP-IN ISOLATOR



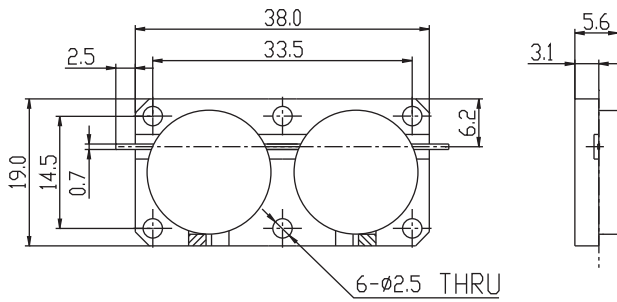
ID23-DROP-IN ISOLATOR



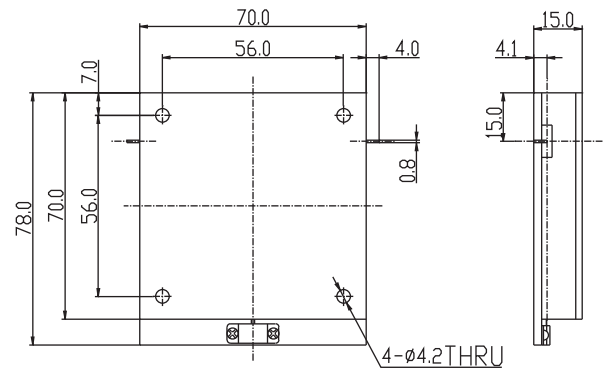
ID24-DROP-IN ISOLATOR



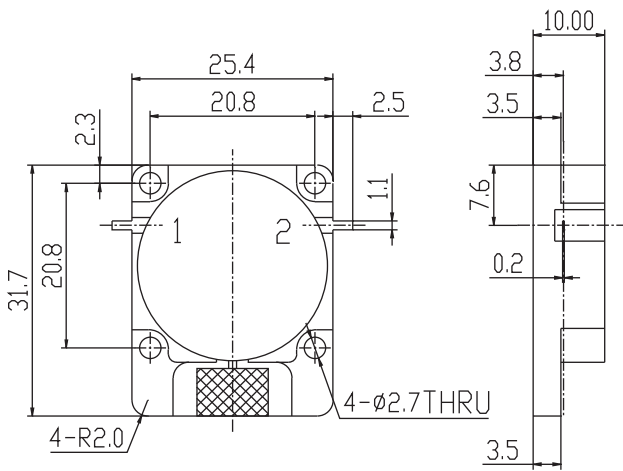
# DROP-IN ISOLATOR



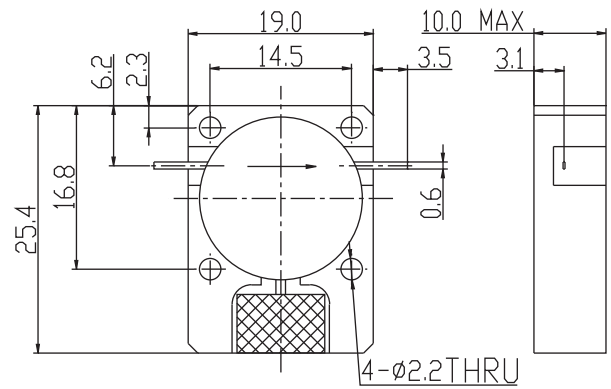
ID25-DROP-IN ISOLATOR



ID26-DROP-IN ISOLATOR



ID27-DROP-IN ISOLATOR



ID28-DROP-IN ISOLATOR

