



Low PIM N Female to N Female Adapter With Body Flats

TECHNICAL DATA SHEET

PE91140

Configuration

Connector 1	N Female
Impedance 1	50 Ohms
Connector Specification 1	MIL-C-39012
Connector 2	N Female
Impedance 2	50 Ohms
Connector Specification 2	MIL-C-39012
Adapter Design	Low PIM
Body Style	Straight

Electrical Specifications

Frequency Range, GHz	DC to 6
Maximum VSWR	1.2:1
Maximum Passive Intermodulation (2 x 20 Watts), dBc	-155

Mechanical Specifications

Temperature

Operating Range, deg C	-45 to +125
------------------------	-------------

Size

Length, in [mm]	1.4 [35.56]
-----------------	-------------

Connector 1

Type	N Female
Inner Conductor Material and Plating	Beryllium Copper, Silver
Outer Conductor Material and Plating	Brass, Tri-Metal
Body Material and Plating	Brass, Tri-Metal
Dielectric Type	PTFE

Connector 2

Type	N Female
Inner Conductor Material and Plating	Beryllium Copper, Silver
Outer Conductor Material and Plating	Brass, Tri-Metal
Body Material and Plating	Brass, Tri-Metal
Dielectric Type	PTFE

Compliance Certifications (visit www.Pasternack.com for current document)

RoHS Compliant	Yes
----------------	-----

Click the following link (or enter part number in "SEARCH" on website) to obtain additional part information including price, inventory and certifications: [Low PIM N Female to N Female Adapter With Body Flats PE91140](#)

The information contained in this document is accurate to the best of our knowledge and representative of the part described herein. It may be necessary to make modifications to the part and/or the documentation of the part, in order to implement improvements. Pasternack reserves the right to make such changes as required. Unless otherwise stated, all specifications are nominal.





Low PIM N Female to N Female Adapter With Body Flats

TECHNICAL DATA SHEET

PE91140

Plotted and Other Data

Notes:

Values at 25 °C, sea level

Low PIM N Female to N Female Adapter With Body Flats from Pasternack Enterprises has same day shipment for domestic and International orders. Our RF, microwave and fiber optic products maintain a 99% availability and are part of the broadest selection in the industry.

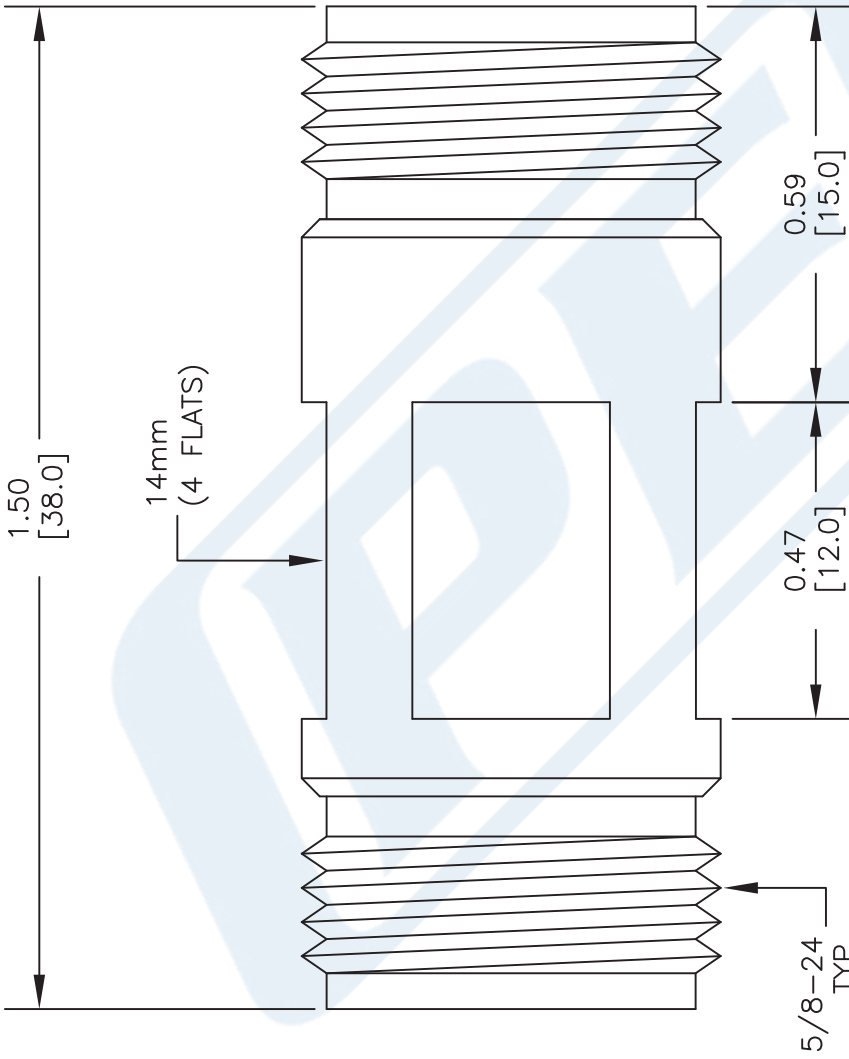
Click the following link (or enter part number in "SEARCH" on website) to obtain additional part information including price, inventory and certifications: [Low PIM N Female to N Female Adapter With Body Flats PE91140](#)

URL: <http://www.pasternack.com/n-female-n-female-straight-adapter-pe91140-p.aspx>

The information contained in this document is accurate to the best of our knowledge and representative of the part described herein. It may be necessary to make modifications to the part and/or the documentation of the part, in order to implement improvements. Pasternack reserves the right to make such changes as required. Unless otherwise stated, all specifications are nominal.

PE91140 CAD Drawing

Low PIM N Female to N Female Adapter With Body Flats



NOTES:
 1. UNLESS OTHERWISE SPECIFIED ALL DIMENSIONS ARE NOMINAL.
 2. ALL SPECIFICATIONS ARE SUBJECT TO CHANGE WITHOUT NOTICE AT ANY TIME.
 3. DIMENSIONS ARE IN INCHES [mm].

DWG TITLE
PE91140

FSCM NO. 53919

CAD FILE 020514

SCALE N/A

SIZE A

150

PE PASTERNAK
 THE ENGINEER'S RF SOURCE
 Pasternack Enterprises, Inc.
 P.O. Box 16759 | Irvine | CA | 92623

Phone: (949) 261-1920 | Fax: (949) 261-7451

Website: www.pasternack.com | E-Mail: sales@pasternack.com