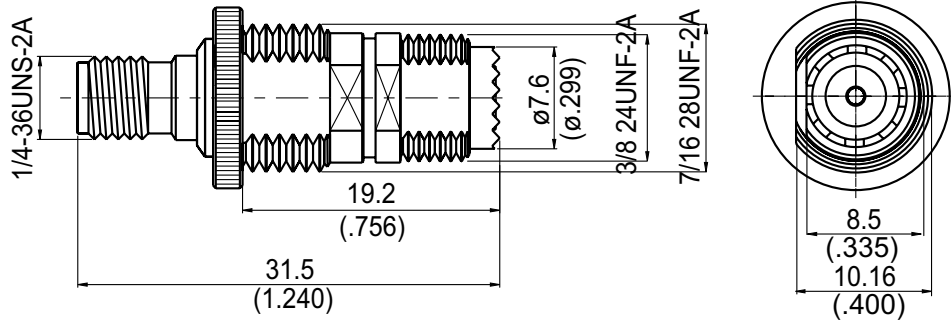
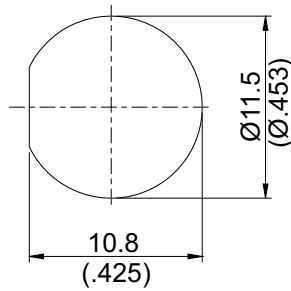


AD-A8MU8

SMA Jack To MINI UHF Jack



MOUNTING HOLE :



Typical VSWR

| Part Number | 1 GHz | 2 GHz | 3 GHz |
|-------------|-------|-------|-------|
| AD-A8MU8 | 1.17 | 1.2 | 1.35 |

| Parts | Material | Plating (Micro-inch) |
|----------------|------------------|--|
| Body(Mini UHF) | Brass | Tin-Zinc-Copper-Alloy 100 Over Copper 50 |
| Contact Pin | Beryllium Copper | Gold 10 Over Nickel 50 Over Copper 50 |
| Insulator | Teflon | |
| Body(SMA) | Brass | Gold 5 Over Nickel 50 Over Copper 50 |

Weight: 10.58 g

This part number complies with RoHS.

Notice: JYEBAO reserves the right to make modifications deemed appropriate.