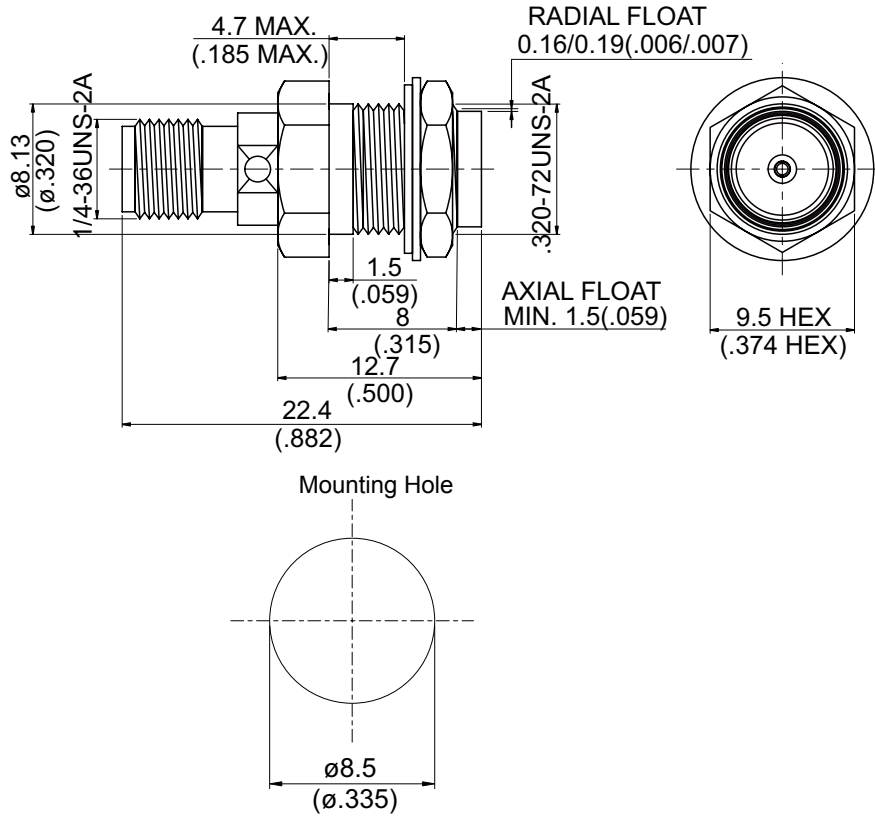


ADS-A8J8-BF

Stainless SMA Jack To BMA Jack For Bulkhead 50Ω



Typical VSWR

Part Number	1 Ghz	2Ghz	3~4Ghz	5Ghz	6Ghz
ADS-A8J8-BF	1.03	1.04	1.06	1.07	1.12
	7~10Ghz	11Ghz	12~16Ghz	17Ghz	18Ghz
	1.15	1.21	1.27	1.30	1.41

Parts	Material	Plating (Micro-inch)
Nut	Stainless Steel	Passivated
Flatwasher	Stainless Steel	Passivated
Lock Washer	Stainless Steel	Passivated
Spring Washer	Beryllium Copper	Gold 5 Over Nickel 50 Over Copper 50
Spring Ring	Beryllium Copper	Gold 5 Over Nickel 50 Over Copper 50
Ferrule	Brass	Gold 10 Over Nickel 50 Over Copper 50
Contact Body	Stainless Steel	Passivated
Spring	Stainless Steel	Passivated
Body	Stainless Steel	Passivated
Contact Pin	Beryllium Copper	Gold 20 Over Nickel 50 Over Copper 50
Insulator	Teflon	

Weight:

This part number complies with RoHS.

Notice: JYEBAO reserves the right to make modifications deemed appropriate.