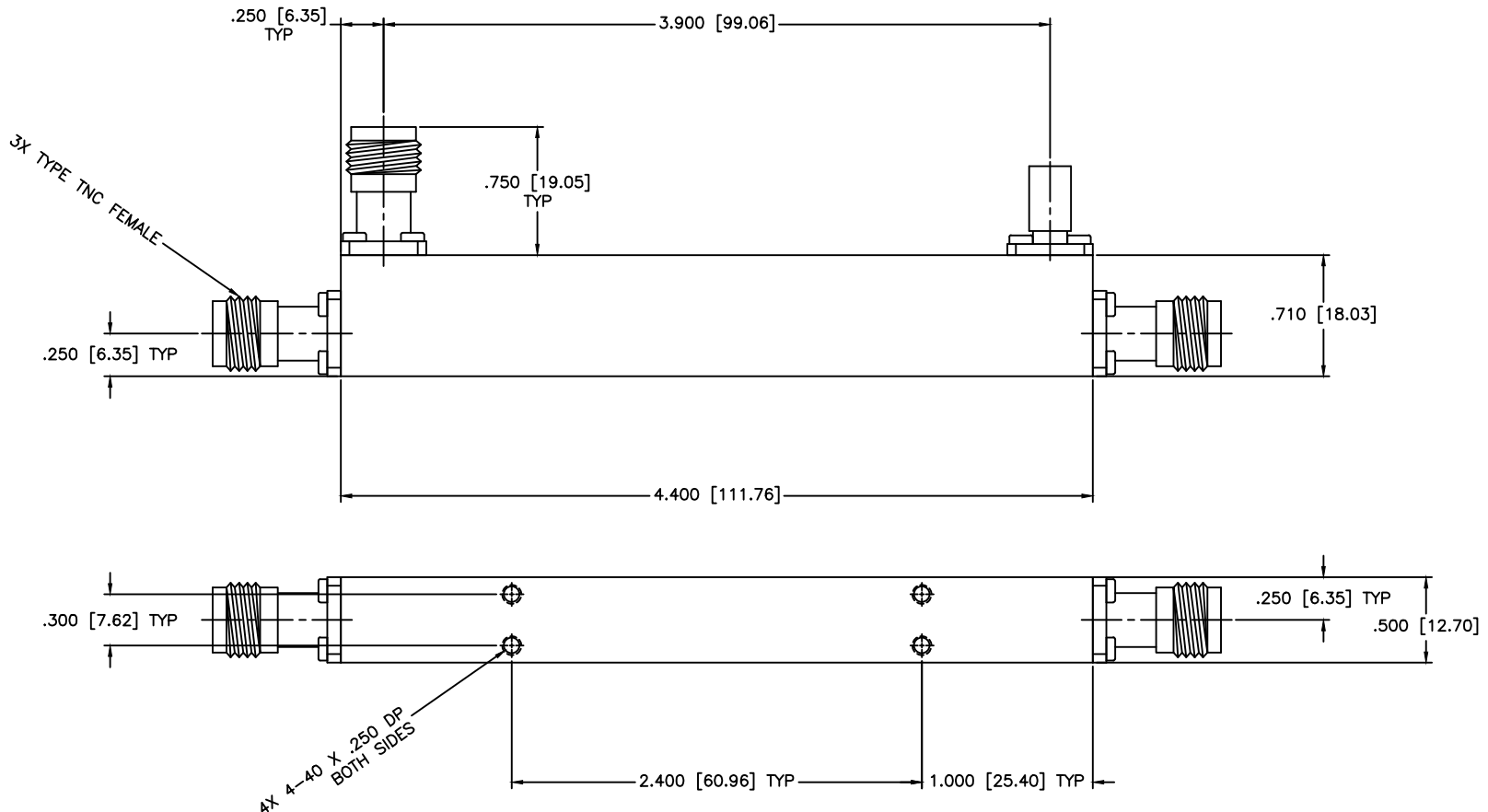


REVISIONS				
ZONE	REV	DESCRIPTION	DATE	APPROVED



SPECIFICATIONS

Frequency Range: 0.5–18 GHz
 Coupling: 10±1.5dB
 Insertion Loss True: 2.0dB Max.
 Frequency Sensitivity: ±1.0dB
 Directivity: 12dB Min.
 VSWR: 2.00:1 Max.
 Power Rating: 20 Watts

MATERIAL:			MICROWAVE COMMUNICATIONS LABORATORIES INC. 7255 30TH AVE. N. SAINT PETERSBURG, FL 33710 TEL: (727) 344-6254 FAX: (727) 381-6116 http://WWW.MCLI.COM		SCALE:	N/A	
					SHEET:	N/A	
		UNLESS OTHERWISE SPECIFIED: TOLERANCES IN (INCHES) OR [mm] (MILLIMETERS) FRACTIONS: ± 1/64 DECIMALS: ±.01 ±.005 ANGLE: ±1/2°		DRAWING TITLE:			DIRECTIONAL COUPLER
DRAWN:		DATE:		PART NO.			CB11-10/TF
Paiboon Luexhamhan		01-30-2009		CAGE CODE:			OD2L5
APPROVED:		DATE:		SIZE:	REV:	DWG NO.	
T. Nguyen		01-30-2009		A	N/A	84083	
		PROPRIETARY NOTICE: THE INFORMATION IN THIS DRAWING IS PROPRIETARY AND SHALL NOT BE USED OR DISCLOSED WITHOUT WRITTEN PERMISSION FROM MICROWAVE COMMUNICATIONS LABORATORIES INC. (MCLI)		DO NOT SCALE THE DRAWING			