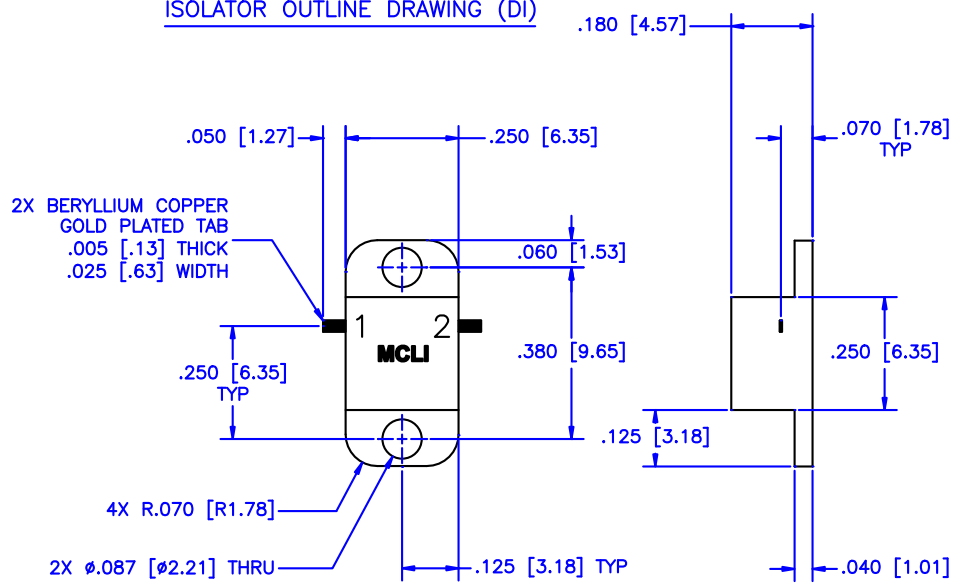
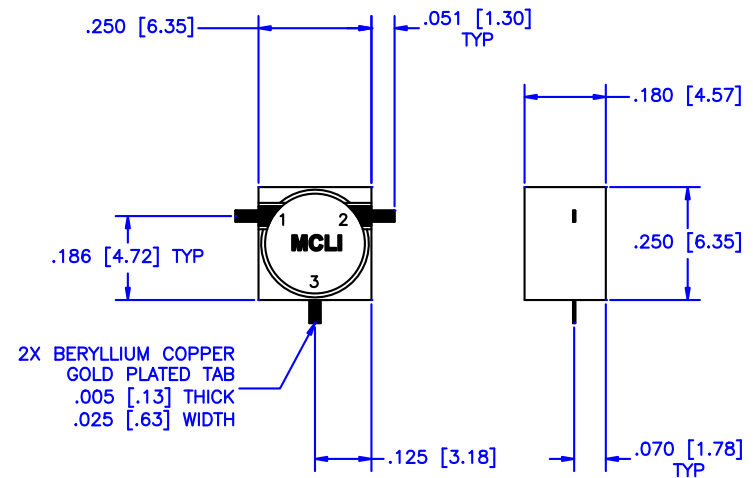


REVISIONS				
ZONE	REV	DESCRIPTION	DATE	APPROVED

ISOLATOR OUTLINE DRAWING (DI)



CIRCULATOR OUTLINE DRAWING (MC)



SPECIFICATIONS:

- Frequency Range: 13–13.6 GHz
- Isolation: 20dB Min.
- Insertion loss: 0.5dB Max.
- VSWR: 1.25:1 Max.
- Operating Temperature: -40°C to +85°C
- Circulator Power (Fwd, Rev): 10 Watts
- Isolator Power (Rev): 1 Watt

MATERIAL:	<b>MCLI</b>	MICROWAVE COMMUNICATIONS LABORATORIES INC. 7255 30TH AVE. N. SAINT PETERSBURG, FL 33710 TEL: (727) 344-6254 FAX: (727) 381-6116 http://WWW.MCLI.COM		SCALE:	N/A
		UNLESS OTHERWISE SPECIFIED: TOLERANCES IN (INCHES) OR [mm] (MILLIMETERS) FRACTIONS: ± 1/64 DECIMALS: ±.01 ±.005 ANGLE: ±1/2°		DRAWING TITLE:	DROP-IN ISOLATOR & CIRCULATOR
DRAWN:	DATE:	PART NO.:			
Paiboon Luekhamhan	02-21-2011	DI-75 & MC-75			
APPROVED:	DATE:	CAGE CODE:	SIZE:	REV:	DWG NO.:
T. Nguyen	02-21-2011	OD2L5	N/A	N/A	85552
THIRD ANGLE PROJECTION		DO NOT SCALE THE DRAWING			