

N Female to MCX Jack Adapter



TECHNICAL DATA SHEET

PE9462

N Female to MCX Jack Adapter

Configuration

| | |
|----------------|----------|
| Connector 1 | N Female |
| Impedance 1 | 50 Ohms |
| Connector 2 | MCX Jack |
| Impedance 2 | 50 Ohms |
| Adapter Design | Standard |
| Body Style | Straight |

Mechanical Specifications

Temperature

| | |
|------------------------|-------------|
| Operating Range, deg C | -65 to +165 |
|------------------------|-------------|

Size

| | |
|---------------------|---------------|
| Length, in [mm] | 1.352 [34.34] |
| Width/Dia., in [mm] | 0.625 [15.88] |

Connector 1

| | |
|---------------------------------------|---------------|
| Type | N Female |
| Inner Conductor Material and Plating | Gold |
| Inner Conductor Plating Specification | MIL-G-45204 |
| Body Material and Plating | Brass, Nickel |
| Dielectric Type | Teflon |

Connector 2

| | |
|---------------------------------------|---------------|
| Type | MCX Jack |
| Inner Conductor Material and Plating | Gold |
| Inner Conductor Plating Specification | MIL-G-45204 |
| Body Material and Plating | Brass, Nickel |
| Dielectric Type | Teflon |

Compliance Certifications (visit www.Pasternack.com for current document)

| | |
|----------------|-----|
| RoHS Compliant | Yes |
|----------------|-----|

Plotted and Other Data

| | |
|--------|----------------------------|
| Notes: | Values at 25 °C, sea level |
|--------|----------------------------|

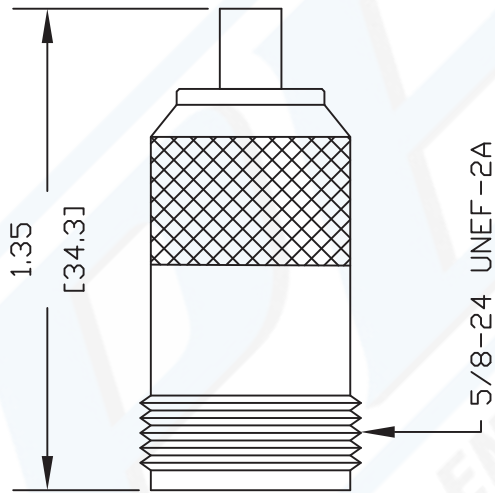
URL: <http://www.pasternack.com/n-female-mcx-jack-straight-adapter-pe9462-p.aspx>

N Female to MCX Jack Adapter from Pasternack Enterprises has same day shipment for domestic and International orders. Our RF, microwave and fiber optic products maintain a 99% availability and are part of the broadest selection in the industry.

The information contained in this document is accurate to the best of our knowledge and representative of the part described herein. It may be necessary to make modifications to the part and/or the documentation of the part, in order to implement improvements. Pasternack reserves the right to make such changes as required. Unless otherwise stated, all specifications are nominal.



PE9462 CAD Drawing
N Female to MCX Jack Adapter



NOTES:
 1. UNLESS OTHERWISE SPECIFIED ALL DIMENSIONS ARE NOMINAL.
 2. ALL SPECIFICATIONS ARE SUBJECT TO CHANGE WITHOUT NOTICE AT ANY TIME.
 3. DIMENSIONS ARE IN INCHES [mm].

DWG TITLE
PE9462

PASTERNAK ENTERPRISES, INC.
 P O BOX 16759, IRVINE, CA 92623
 PHONE (949) 261-1920 FAX (949) 261-7451
 WEB ADDRESS: www.pasternack.com
 E-MAIL ADDRESS: sales@pasternack.com
COAXIAL & FIBER OPTICS



| | | | | | |
|--------|----------------|-----------------|-----------|--------|-----|
| REV. - | FSCM NO. 53919 | CAD FILE 092302 | SCALE N/A | SIZE A | 127 |
|--------|----------------|-----------------|-----------|--------|-----|