

# STANDARD GAIN HORN 20 DB GAIN WR75

SH175-20

## SPECIFICATIONS

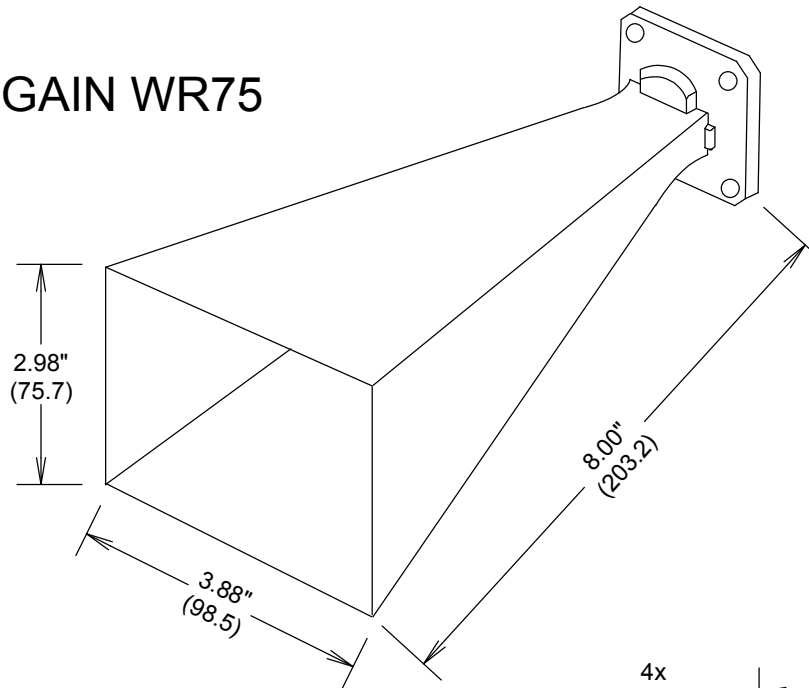
### ELECTRICAL:

FREQUENCY: 10.0 - 15.0 GHZ  
 TYPICAL GAIN VARIATION:  $\pm 1.5$  TO  $\pm 2.0$  DB  
 GAIN\*: 20 DB  
 3 DB BEAM WIDTH\*:  
 E PLANE: 16.3°  
 H PLANE: 17.2°

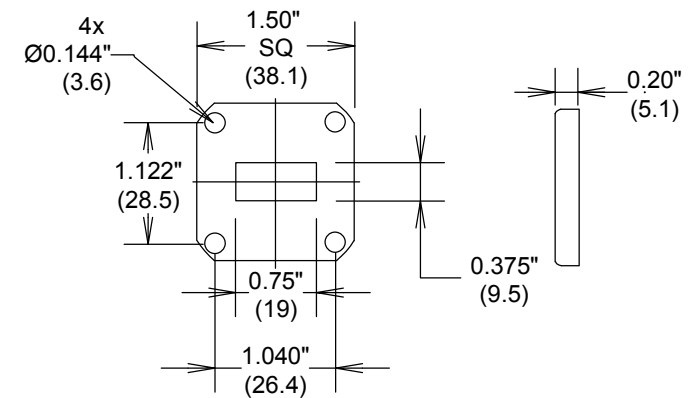
### MATERIALS:

BODY/FLANGE: ALUMINIUM  
 FINISH: UNIQUE CORROSION RESISTANT  
 316 STAINLESS STEEL EPOXY COATING IAW MIL-F-14072

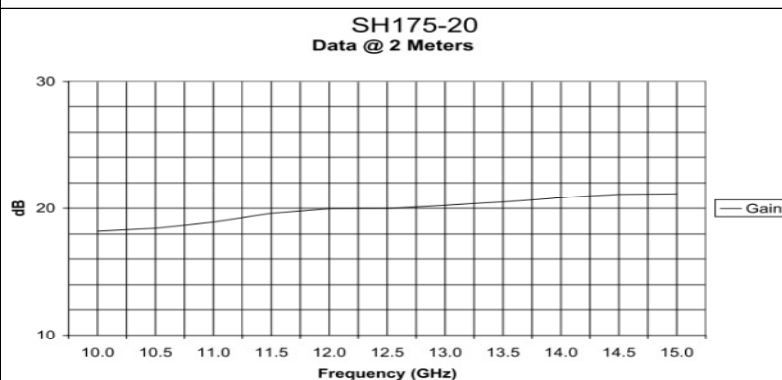
\*GAIN & 3 DB BEAM WIDTH VALUES ARE CALCULATED BY COMPUTER SIMULATION



### FLANGE SIZE



MEASUREMENTS BELOW ARE TYPICAL



## FAIRVIEW MICROWAVE INC.

ALLEN, TX 75013 WWW.FAIRVIEWMICROWAVE.COM

TITLE

STANDARD GAIN HORN 20 DB GAIN WR75

SIZE	CAGE CODE	DWG NO	REV
A	3FKR5	SH175-20	A
SCALE	SHEET		

ALL DIMENSIONS IN inches(mm) Typical