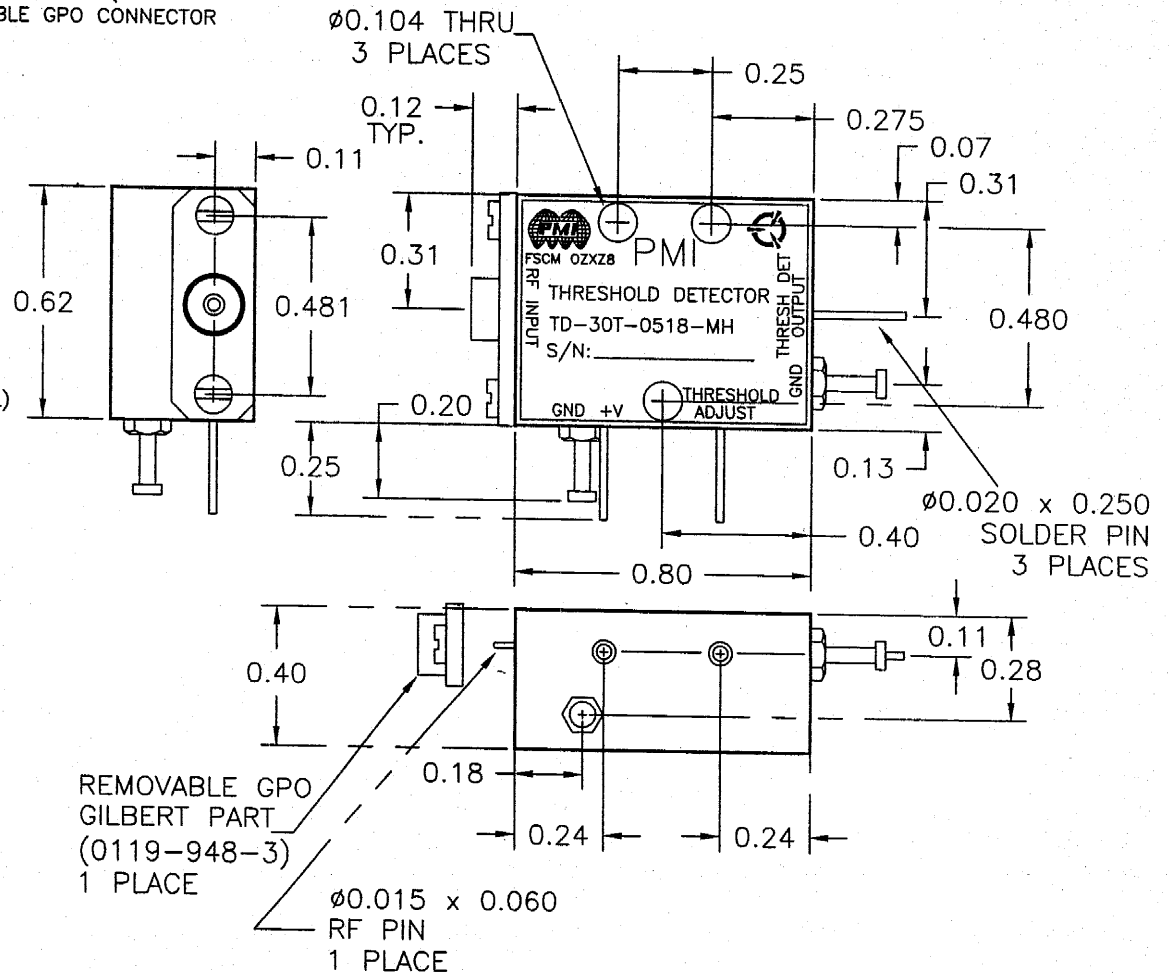


**DESCRIPTION:**

PMI MODEL #'S TD-30T-0518-MH AND TD-30T-0418-MH ARE A HIGH SPEED THRESHOLD DETECTOR DESIGNED TO OPERATE OVER THE 0.5 TO 18 GHz AND 0.4 TO 18 GHz FREQUENCY RANGE, WITH A DYNAMIC RANGE OF -18 TO +5 dBm, AND TYPICAL VSWR OF 2.0:1 (2.5:1 MAXIMUM). THIS UNIT COMES IN A VERY SMALL SIZE WITH FIELD REMOVABLE GPO CONNECTOR ON THE INPUT AND SOLDER PIN ON THE OUTPUT.

**SPECIFICATIONS:**

- FREQUENCY:
  - TD-30T-0518-MH: ..... 0.5 GHz TO 18 GHz MINIMUM
  - TD-30T-0418-MH: ..... 0.4 GHz TO 18 GHz MINIMUM
- VSWR: ..... 2.5:1 MAXIMUM (2.0:1 TYPICAL)
- DYNAMIC RANGE: ..... -18 dBm TO +5 dBm MINIMUM,
- INPUT FLATNESS: ..... ±2.0 dB MAXIMUM, (±1.0 dB TYPICAL)
- RESPONSE TIME: ..... 100 nSEC MAXIMUM, (50 nSEC TYPICAL)
- OUTPUT ..... TTL
- POWER SUPPLY: ..... +7V TO +15V @ 100 mA MAXIMUM
- RF INPUT CONNECTOR: ..... REMOVABLE GPO
- OUTPUT CONNECTOR ..... SOLDER PIN
- SIZE: ..... 0.80" x 0.62" x 0.40"
- WEIGHT: ..... 0.50 OUNCE



**ENVIRONMENTAL RATINGS:**

- TEMPERATURE: ..... -55°C TO +85°C (OPERATING)  
..... -65°C TO +125°C (STORAGE)
- HUMIDITY: ..... MIL-STD-202F, METHOD 103B COND. B
- SHOCK: ..... MIL-STD-202F, METHOD 213B COND. B
- VIBRATION: ..... MIL-STD-202F, METHOD 204D COND. B
- ALTITUDE: ..... MIL-STD-202F, METHOD 105C COND. B
- TEMPERATURE CYCLE: ..... MIL-STD-202F, METHOD 107D COND. A

ALL DIMENSIONS ARE IN INCHES  
TOLERANCES:

X.XX ±0.020  
X.XXX ±0.010

NOTE: THE ABOVE SPECIFICATIONS ARE SUBJECT TO CHANGE OR REVISION

ZONE		REV.		REVISIONS		DATE	APPROVED
				ORIGINAL RELEASE		8/9/00	

**CONFIDENTIAL AND PROPRIETARY**

PART NO.		FSCM NO.		DWG NO.		REV.
APPROVALS		DATE		TITLE		
DRAWN <i>WSP</i>		8/9/00		PRODUCT FEATURE TD-30T-0518-MH & TD-30T-0418-MH		
CHECKED <i>MA</i>		8/21/03		SCALE		
ISSUED		A 60483		100-4845-4		-
				SHEET		1 of 2



PLANAR MONOLITHICS INDUSTRIES  
FREDERICK, MARYLAND