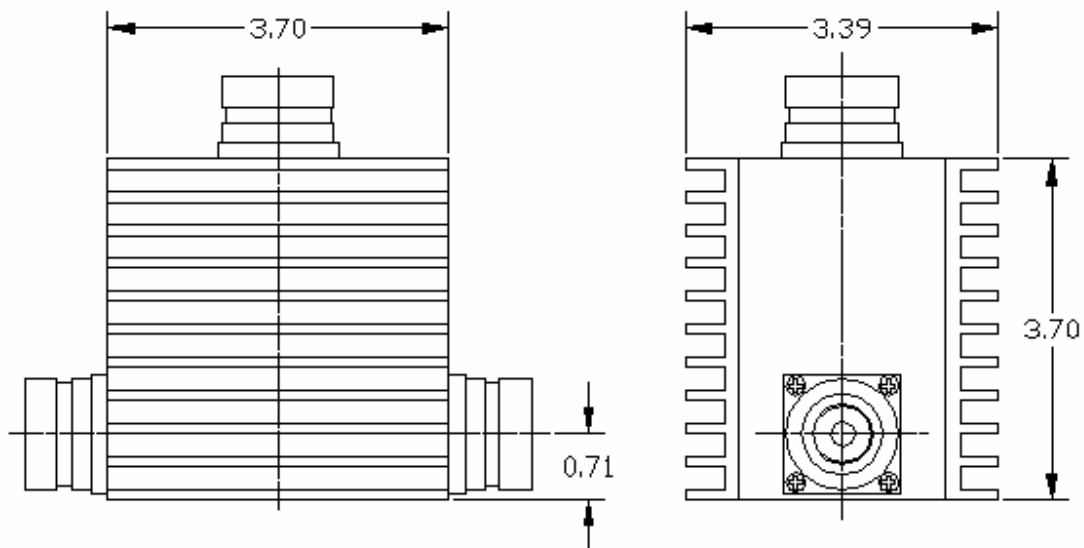


Key Features:

- Frequency range: 400~600MHz
- DIN 7/16 connector In/out
- Small size, low cost
- Power handling +1000 Watts forward
- Operating temperature -10~+65°C
- Customer specify center frequency and bandwidth

Electrical Specifications

Part No.	Freq Range MHz	Insertion Loss, dB	Reverse Isolation, dB	VSWR	Forward Power, Watts	Temp. Range, °C
F2522-0434-05	424-444	0.5 Max	≥ 20	≤ 1.2	≥ 1000	-10 ~ +65
F2522-0560-07	540~580	0.5 Max	≥ 20	≤ 1.2	≥ 1000	-10 ~ +65
F2522-0625-08	600~650	0.5 Max	≥ 20	≤ 1.2	≥ 1000	-10 ~ +65

Mechanical Structure:

Note: All units in inches.

Ordering Information:

F2522-XXXX-XX
 ↓ ↓
 Bandwidth, XX%,
 Frequency XX.XX GHz,