



N Male to QMA Female Adapter

TECHNICAL DATA SHEET

PE9787

N Male to QMA Female Adapter

Configuration

Connector 1	N Male
Impedance 1	50 Ohms
Connector Specification 1	MIL-PRF-39012
Connector 2	QMA Female
Impedance 2	50 Ohms
Adapter Design	Standard
Body Style	Straight

Electrical Specifications

Frequency Range, GHz	DC to 11
Maximum Operating Voltage, Volts	480
Dielectric Withstanding Voltage, Vrms	1,000

Frequency 1

Frequency, GHz	DC to 3
VSWR	1.05:1
Return Loss, dB	32

Frequency 2

Frequency, GHz	3 to 8
VSWR	1.2:1
Return Loss, dB	21

Mechanical Specifications

Temperature

Operating Range, deg C	-40 to +85
Storage Range, deg C	-40 to +85

Size

Length, in [mm]	1.102 [27.99]
Width/Dia., in [mm]	0.826 [20.98]

Connector 1

Type	N Male
Inner Conductor Material and Plating	Beryllium Copper, Gold
Coupling Nut Material and Plating	Brass, Tri-Metal
Hex Size, mm	18
Torque, in-lbs [Nm]	15 [1.7]
Body Material and Plating	Brass, Tri-Metal
Dielectric Type	PTFE

Click the following link (or enter part number in "SEARCH" on website) to obtain additional part information including price, inventory and certifications: [N Male to QMA Female Adapter PE9787](#)

The information contained in this document is accurate to the best of our knowledge and representative of the part described herein. It may be necessary to make modifications to the part and/or the documentation of the part, in order to implement improvements. Pasternack reserves the right to make such changes as required. Unless otherwise stated, all specifications are nominal.





TECHNICAL DATA SHEET

PE9787

Connector 2

Type	QMA Female
Inner Conductor Material and Plating	Beryllium Copper, Gold
Body Material and Plating	Brass, Tri-Metal
Dielectric Type	PTFE

Compliance Certifications (visit www.Pasternack.com for current document)

RoHS Compliant	Yes
----------------	-----

Plotted and Other Data

Notes: Values at 25 °C, sea level

URL: <http://www.pasternack.com/n-male-qma-female-straight-adapter-pe9787-p.aspx>

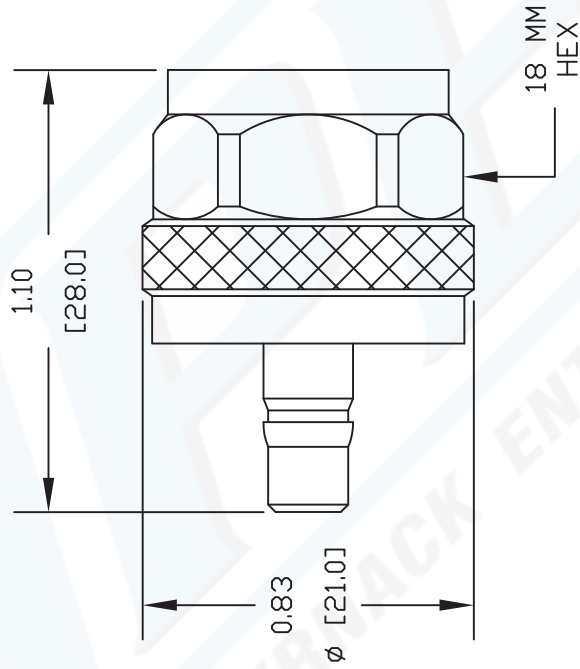
N Male to QMA Female Adapter from Pasternack Enterprises has same day shipment for domestic and International orders. Our RF, microwave and fiber optic products maintain a 99% availability and are part of the broadest selection in the industry.

The information contained in this document is accurate to the best of our knowledge and representative of the part described herein. It may be necessary to make modifications to the part and/or the documentation of the part, in order to implement improvements. Pasternack reserves the right to make such changes as required. Unless otherwise stated, all specifications are nominal.



PE9787 CAD Drawing

N Male to QMA Female Adapter



DWG TITLE

PE9787

NOTES:
 1. UNLESS OTHERWISE SPECIFIED ALL DIMENSIONS ARE NOMINAL.
 2. ALL SPECIFICATIONS ARE SUBJECT TO CHANGE WITHOUT NOTICE AT ANY TIME.
 3. DIMENSIONS ARE IN INCHES [mm].

REV. -

FSCM NO. 53919

CAD FILE 081508

SCALE N/A

SIZE A

127

PASTERNAK ENTERPRISES, INC.

P.O. BOX 16759, IRVINE, CA 92623
 PHONE (949) 261-1920 FAX (949) 261-7451

WEB ADDRESS: www.pasternack.com
 E-MAIL ADDRESS: sales@pasternack.com

COAXIAL & FIBER OPTICS

